
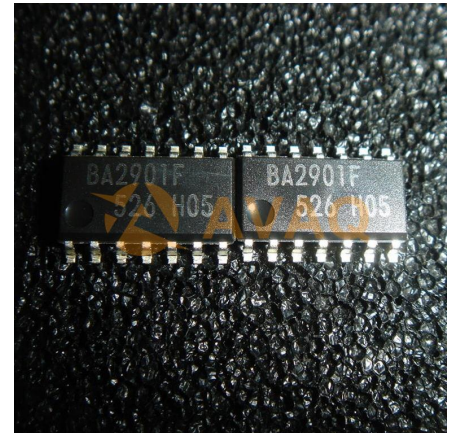


Comparator Quad $\pm 18V/36V$ 14-Pin SOP T/R

Manufacturer:	<u>ROHM Semiconductor</u>
Package/Case:	SOP14
Product Type:	Linear Displacement Sensors
RoHS:	RoHS Compliant/Lead free 
Lifecycle:	Active



Images are for reference only

[Inquiry](#)

General Description

General purpose BA8391G/BA10393/BA10339 family and high reliability BA2903/BA2901 family integrate one, two or four independent high gain voltage comparator. Some features are the wide operating voltage that is 2 to 36[V] (for BA8391G, BA10393, BA2903, BA2901 family), 3 to 36[V] (for BA10339 family) and low supply current. Therefore, this series is suitable for any application.

Key Features

Operable with a signal power supply

Wide operating supply voltage +2.0[V] ~ +36.0[V] (single supply) $\pm 1.0[V]$ ~ $\pm 18.0[V]$ (split supply)

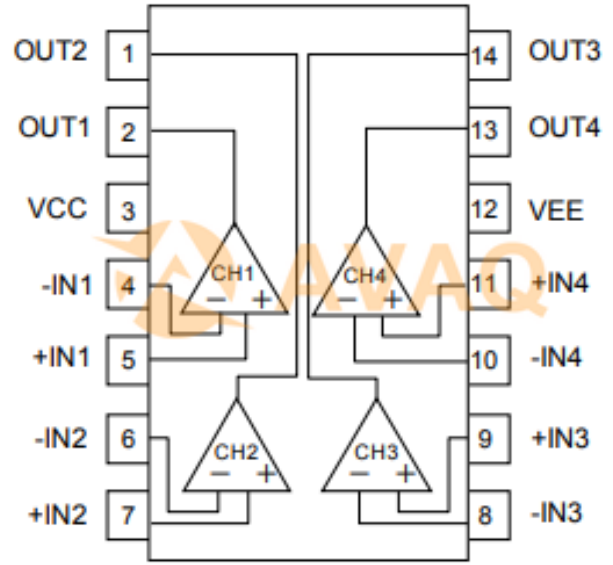
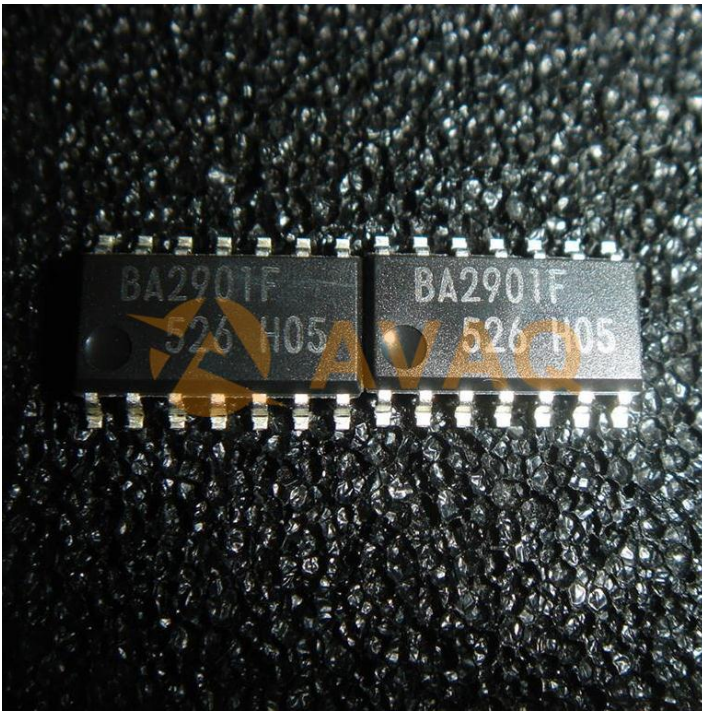
Standard comparator pin-assignments

Input and output are operable ground sense

Internal ESD protection Human body model (HBM) $\pm 5000[V]$ (Typ.)

Gold PAD

Wide temperature range -40[°C] ~ +125[°C]



Recommended For You

BA8391G-TR

ROHM Semiconductor

SOT23-5

BA10393F-E2

ROHM Semiconductor

SOP8

BA4560RF-E2

ROHM Semiconductor

SOP8

BA2903SF-E2

ROHM Semiconductor

SOP8

BA4558F-E2

ROHM Semiconductor

SOP8

BA10339F-E2

ROHM Semiconductor

SOP14

BA2901FV-E2

ROHM Semiconductor

TSSOP14

BA2904YFV-CE2

ROHM Semiconductor

SSOP-B8

BA2903YFVM-CTR

ROHM Semiconductor

MSOP-8

BA2904YFVM-CTR

ROHM Semiconductor

MSOP8

BA2902YFV-CE2

ROHM Semiconductor

TSSOP

BA83472YF-CE2

ROHM Semiconductor

AN

BA7655AF-E2

ROHM Semiconductor

SOP-8

BA2901SF-E2

ROHM Semiconductor

SOP-14

BA2903YFV-CE2

ROHM Semiconductor

SMD