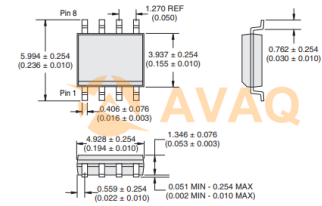


Comparator Single 5.5V 8-Pin SOIC T/R

Manufacturer:	IXYS Corporation
Package/Case:	SOP-8
Product Type:	Linear Displacement Sensors
RoHS:	RoHS Compliant/Lead free
Lifecycle:	Active



Images are for reference only

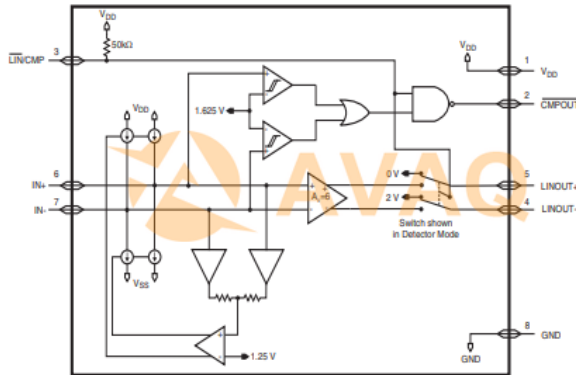
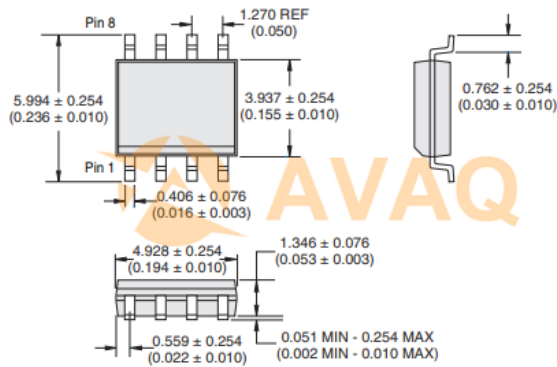
Inquiry

General Description

Avaq Semiconductor offers the highly versatile and reliable CPC5710NTR driver, produced by IXYS Corporation. With its multifunctional and high-performance capabilities, this component is an excellent choice for a wide range of electronic projects.

To ensure that you have all the necessary information to make the most of this component, Avaq provides a free datasheet PDF, as well as circuit diagrams, pin layouts, pin details, pin voltage ratings, and equivalent components for the CPC5710NTR.

Avaq also offers free samples. Simply fill out and submit the sample request form to receive your free samples for testing. If you have any questions, please feel free to contact us at ar



Recommended For You

CPC1466DTR

IXYS Corporation
BGA

CPC1465DTR

IXYS Corporation
SOP16

CPC1465D

IXYS Corporation
SOP16

CPC7593ZC-TR

IXYS Corporation
BGA

CPC1466D

IXYS Corporation
SOP16

CPC5710N

IXYS Corporation
SOP-8

CPC1465MTR

IXYS Corporation
VDFN

M-986-2AIP

IXYS Corporation
PLCC

M-986-2A1PL

IXYS Corporation
PLCC