

## Sample and Hold 8-CH 3.5us 16-Pin SOIC N Tube

<b>Manufacturer:</b>	<a href="#">Analog Devices, Inc</a>
<b>Package/Case:</b>	SOP16
<b>Product Type:</b>	Amplifier ICs
<b>Lifecycle:</b>	Obsolete



Images are for reference only

[Inquiry](#)

## General Description

The SMP18 is a monolithic octal sample-and-hold; it has eight internal buffer amplifiers, input multiplexer, and internal hold capacitors. It is manufactured in an advanced oxide isolated CMOS technology to obtain high accuracy, low droop rate, and fast acquisition time. The SMP18 has a typical linearity error of only 0.01% and can accurately acquire a 10-bit input signal to  $\pm 1/2$  LSB in less than 2.5 microseconds. The SMP18's output swing includes the negative supply in both single and dual supply operation.

The SMP18 was specifically designed for systems that use a calibration cycle to adjust a multiple of system parameters. The low cost and high level of integration make the SMP18 ideal for calibration requirements that have previously required an ASIC, or high cost multiple D/A converters.

The SMP18 is also ideally suited for a wide variety of sample-and- hold applications including amplifier offset or VCA gain adjustments. One or more SMP18s can be used with single or multiple DACs to provide multiple set points within a system.

The SMP18 offers significant cost and size reduction over discrete designs. It is available in a 16-pin plastic DIP, a narrow body SO-16 surface-mount SOIC package or the thin TSSOP-16 package. The SMP18 is a higher speed direct replacement for the SMP08.

## Key Features

High Speed Version of SMP08

Internal Hold Capacitors

Low Droop Rate

TTL/CMOS Compatible Logic Inputs

Single or Dual Supply Operation

Break-Before-Make Channel Addressing

Compatible With CD4051 Pinout

Low Cost

Multiple Path Timing Deskew for A.T.E.

Memory Programmers

Mass Flow/Process Control Systems

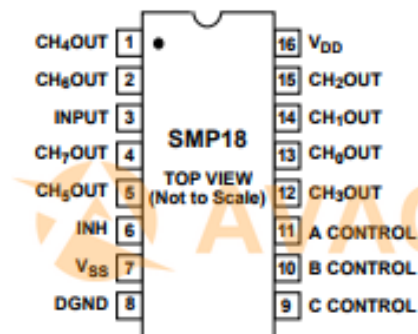
Multichannel Data Acquisition Systems

Robotics and Control Systems

Medical and Analytical Instrumentation

Event Analysis

Stage Lighting Control



## Recommended For You

**SMP10AY**

Analog Devices, Inc  
CDIP14

**SMP08FP**

Analog Devices, Inc  
DIP

**SMP11GY**

Analog Devices, Inc  
CDIP14

**SMP04EP**

Analog Devices, Inc  
DIP

**SMP04ESZ**

Analog Devices, Inc  
SOP16

**SMP04ES**

Analog Devices, Inc  
SOP

**SMP18FRUZ-REEL7**

Analog Devices, Inc  
TSSOP-16

**SMP04EQ**

Analog Devices, Inc  
DIP

**SMP08FSZ**

Analog Devices, Inc  
SOP16

**SMP11BY**

Analog Devices, Inc  
CDIP14

**SMP18FQ**

Analog Devices, Inc  
16-CERDIP

**SMP18FSZ-REEL**

Analog Devices, Inc  
SOP

**SMP11GS**

Analog Devices, Inc  
SOP16

**SMP11GP**

Analog Devices, Inc  
DIP14

**SMP11FY**

Analog Devices, Inc  
CDIP14