
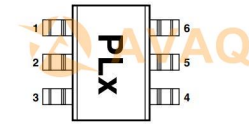


RF Diode Schottky 4V 3-Pin SOT-23 Bulk

Manufacturer:	Broadcom Corporation
Package/Case:	SOT-23
Product Type:	Thyristors
RoHS:	RoHS Compliant/Lead free 
Lifecycle:	Obsolete

Pin Connections and Package Marking



Images are for reference only

[Inquiry](#)

General Description

Avaq Semiconductor offers the highly versatile and reliable HSMS-2860-BLKG driver, produced by Broadcom Corporation. With its multifunctional and high-performance capabilities, this component is an excellent choice for a wide range of electronic projects.

To ensure that you have all the necessary information to make the most of this component, Avaq provides a free datasheet PDF, as well as circuit diagrams, pin layouts, pin details, pin voltage ratings, and equivalent components for the HSMS-2860-BLKG.

Avaq also offers free samples. Simply fill out and submit the sample request form to receive your free samples for testing. If you have any questions, please feel free to contact us at ar

Pin Connections and Package Marking

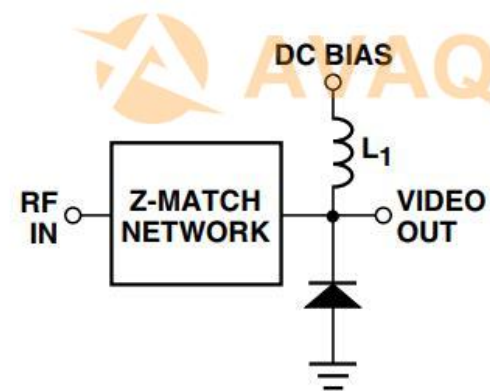
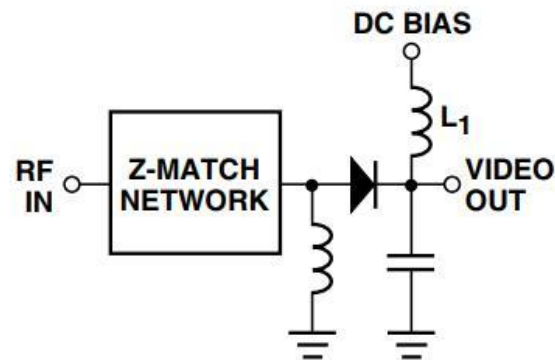
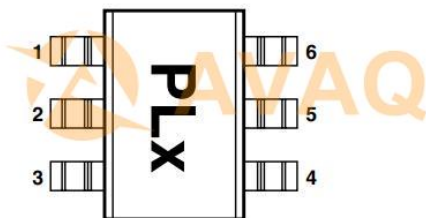


Figure 9. Basic Detector Circuits.

Recommended For You

HSMS-286C-TR1G

Broadcom Corporation
SOT-323

HSMS-286L-TR2G

Broadcom Corporation
BGA

HSMS-2864-TR2G

Broadcom Corporation
BGA

HSMS-286Y-BLKG

Broadcom Corporation
HA

HSMS-280N-TR2G

Broadcom Corporation
BGA

HSMS-286F-TR2G

Broadcom Corporation
BGA

HSMS-280P-TR2G

Broadcom Corporation
BGA

HSMS-286E-BLKG

Broadcom Corporation
BGA

HSMS-280M-TR2G

Broadcom Corporation
BGA

HSMS-286L-BLKG

Broadcom Corporation
BGA

HSMS-286B-TR2G

Broadcom Corporation
BGA

HSMS-286E-TR2G

Broadcom Corporation
BGA

HSMS-286P-TR2G

Broadcom Corporation
BGA

HSMS-280L-TR2G

Broadcom Corporation
BGA

HSMS-2863-TR2G

Broadcom Corporation
BGA