
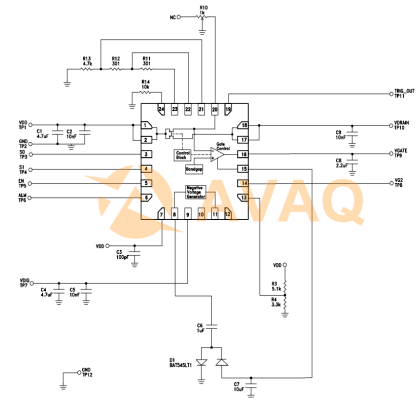


Active Bias Controller 24-Pin LFCSP EP Cut Tape

Manufacturer:	Analog Devices, Inc
Package/Case:	QFN
Product Type:	Power Management ICs
RoHS:	RoHS Compliant/Lead free 
Lifecycle:	Active



Images are for reference only

[Inquiry](#)

General Description

HMC980LP4E is an active bias controller that can automatically adjust the gate voltage of an external amplifier to achieve constant bias current. With an integrated controller, HMC980LP4E achieves safe power on/off, disable/enable and automatic supply sequencing ensuring the safety of the external amplifier. It can be used to bias any enhancement and depletion type amplifier operating in Class-A regime with Drain voltages (VDRAIN) from 5V to 16.5V and drain currents (IDRAIN) up to 1.6 A, offering a complete biasing solution.

HMC980LP4E achieves excellent bias stability over supply, temperature and process variations, and eliminates the required calibration procedures usually employed to prevent RF performance degradation due to such variations.

The HMC980LP4E is housed in an RoHS compliant 4x4 mm QFN leadless package with an exposed backside pad to improve thermal characteristics.

Key Features

Automatic Gate voltage adjustment (No Calibration required)

Supply Voltage (5V to 16.5V)

Bias both Enhancement or Depletion type devices

Adjustable Drain Current up to 1.6 A

Sink or source gate current

Internal negative voltage generation

Can be disabled to use external negative rail

Fast Enable/Disable

Trigger-out Output for Daisy Chain

Power-Up and Power-Down Sequencing

Over/Under Current Alarm with built-in hysteresis

24 Lead 4mmx4mm QFN Package: 16mm²

Application

Microwave Radio & VSAT

Military & Space

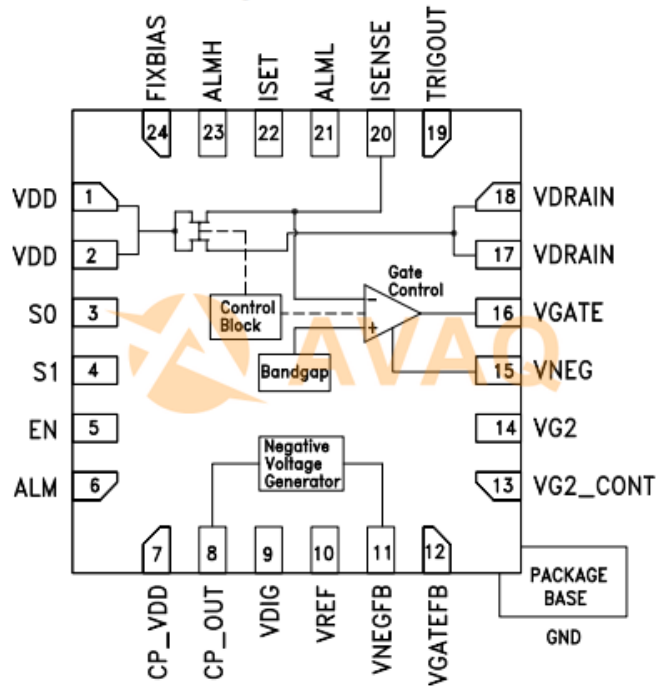
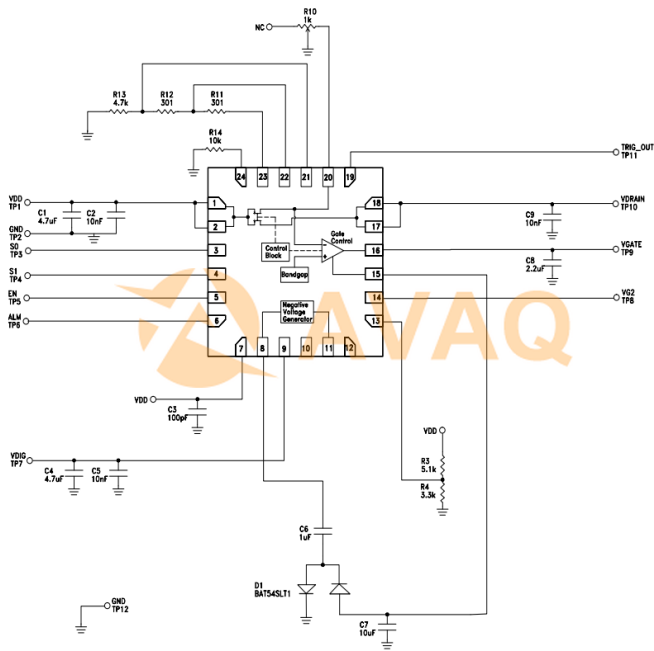
Test Instrumentation

Fiber Optic Modulator Driver Biasing

CATV Laser Driver Biasing

Cellular Base Station

Wireless Infrastructure Equipment



Recommended For You

HMC981LP3E

Analog Devices, Inc
QFN-16

LTC3260HMSE#PBF

Analog Devices, Inc
MSOP16

LTC4359HMS8#PBF

Analog Devices, Inc
MSOP8

LTC4359HMS8#TRPBF

Analog Devices, Inc
MSOP8

LTC4357HMS8#PBF

Analog Devices, Inc
MSOP-8

HMC920LP5E

Analog Devices, Inc
QFN-32

LT3645HMSE#PBF

Analog Devices, Inc
MSOP

LT8312HMS#PBF

Analog Devices, Inc
MSOP

LT4320HMSE#PBF

Analog Devices, Inc
MSOP12

HMC920LP5ETR

Analog Devices, Inc
32-QFN5x5

LTC3245HMSE#PBF

Analog Devices, Inc
MSOP12

LTC1871HMS

Analog Devices, Inc
MSOP10

LTC4359HMS8#WPBF

Analog Devices, Inc
MSOP-8

LTC4359HMS8#WTRPBF

Analog Devices, Inc
MSOP

HMC980LP4ETR

Analog Devices, Inc
QFN