

Conv DC-DC 4.5V to 18V Synchronous Step Down Single-Out 0.765V to 7V 3A 8-Pin HTSOP-J EP T/R

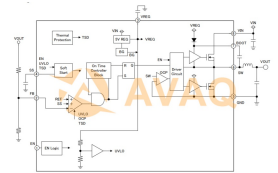
Manufacturer: [ROHM Semiconductor](#)

Package/Case: HTSOP8

Product Type: Power Management ICs

RoHS: RoHS Compliant/Lead free 

Lifecycle: Active

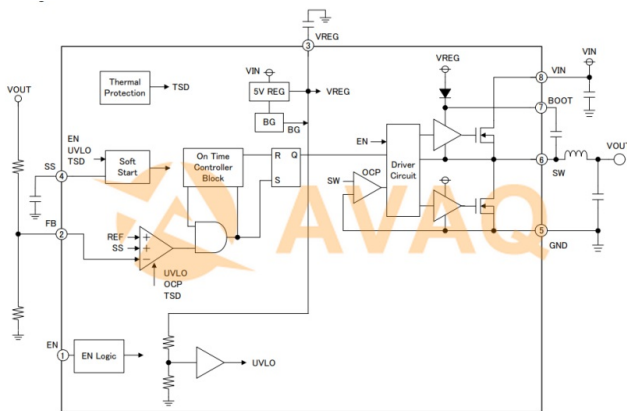


Images are for reference only

[Inquiry](#)

General Description

BD9D320EFJ is a synchronous buck switching regulator with built-in low on-resistance power MOSFETs. It is capable of providing current of up to 3A. External phase compensation circuit is not necessary for it is a constant on-time control DC/DC converter with high speed response.



HTSOP-J8

Recommended For You

BD5230G-TR

ROHM Semiconductor

SOT23-5

BD6222HFP-TR

ROHM Semiconductor

HRP7

BD6211F-E2

ROHM Semiconductor

SOP8

BD001A5MEFJ-ME2

ROHM Semiconductor

HTSOP8

BD6237FM-E2

ROHM Semiconductor

HSOP-M28

BD48K33G-TL

ROHM Semiconductor

SOT23

BD9G101G-TR

ROHM Semiconductor

SOT-23-6

BD9781HFP-TR

ROHM Semiconductor

TO263-7

BD00GA5WEFJ-E2

ROHM Semiconductor

HTSOP8

BD2204GUL-E2

ROHM Semiconductor

VCSP50L1

BD2051AFJ-E2

ROHM Semiconductor

SOP8

BD450M2FP3-CE2

ROHM Semiconductor

SOT-223

BD450M5WFPJ-CZE2

ROHM Semiconductor

TO252-J5F

BD63860EFV-E2

ROHM Semiconductor

HTSSOP28

BD45272G-TR

ROHM Semiconductor

SOT23-5