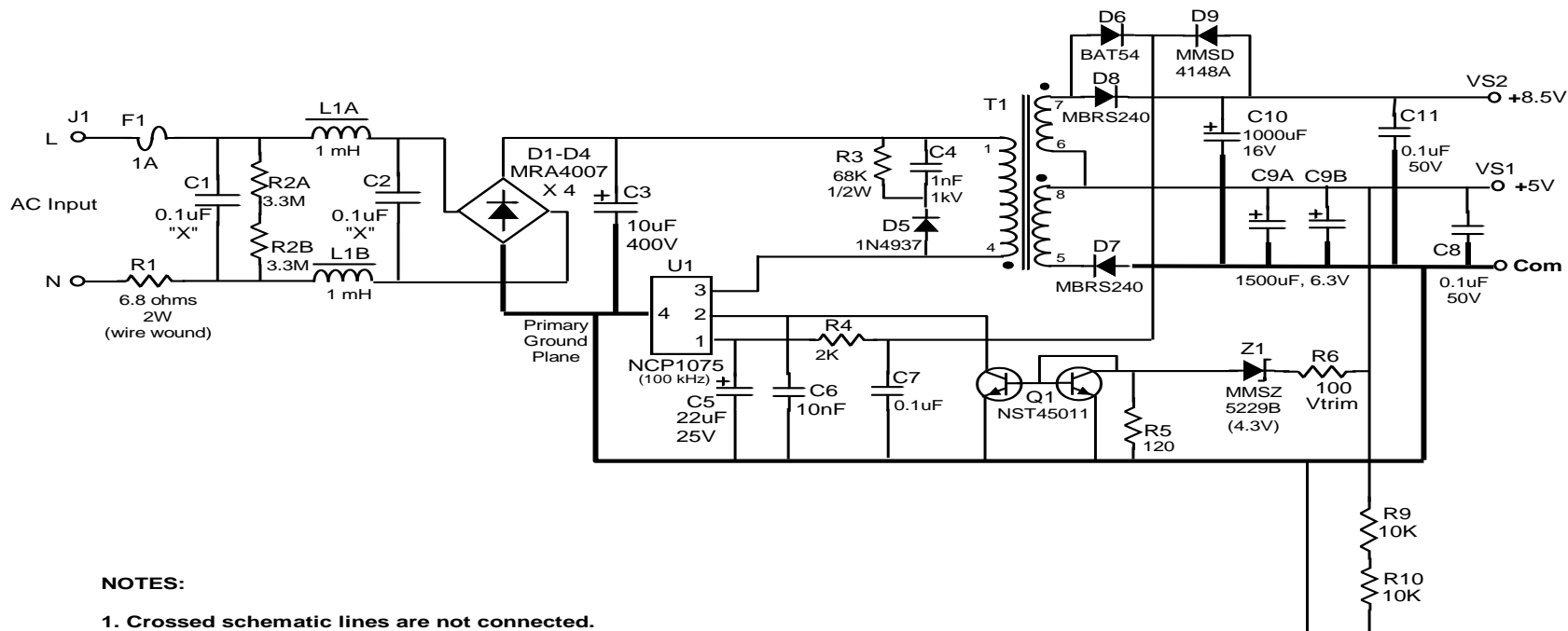




## Schematic for the NCP1075NONGEVB Evaluation Board



**NOTES:**

1. Crossed schematic lines are not connected.
2. R4 value dependent on VS2 nominal output voltage.
3. R1 is optional inrush limiting resistor.
4. U1 tab (pin 4) should have heatsinking clad pours and be part of a ground plane area for best noise immunity.
5. Heavy lines indicate recommended ground plane areas.
6. L1A/L1B are Wurth 7447728102.
7. Z1 sets nominal 5Vout. R6 can trim Vout upward.

**Non-Isolated, 8 Watt, Dual Output NCP1075 PSU  
with Universal AC Input (Rev 8)**