

NCV7535VMFD5C466GEVB

NCV7535 SPI controlled H-bridge pre-driver Evaluation Board User's Manual



ON Semiconductor®

www.onsemi.com

EVAL BOARD USER'S MANUAL

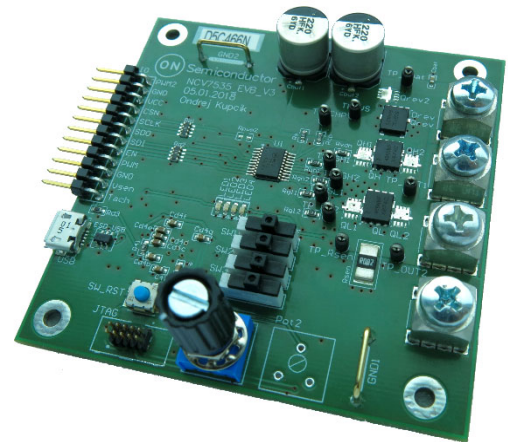
Introduction

This document describes the NCV7535 EVB board for the ON Semiconductor NCV7535 SPI controlled H-bridge and Dual-Half Bridge pre-driver. The functionality and major parameters can be evaluated with the NCV7535 EVB board.

The NCV7535 is a monolithic SPI controlled chip with enhanced feature set useful in automotive systems. Besides the SPI bus interface, the IC features an H-bridge pre-driver to control a DC-motor. This allows a highly integrated solution.

Evaluation Board Features

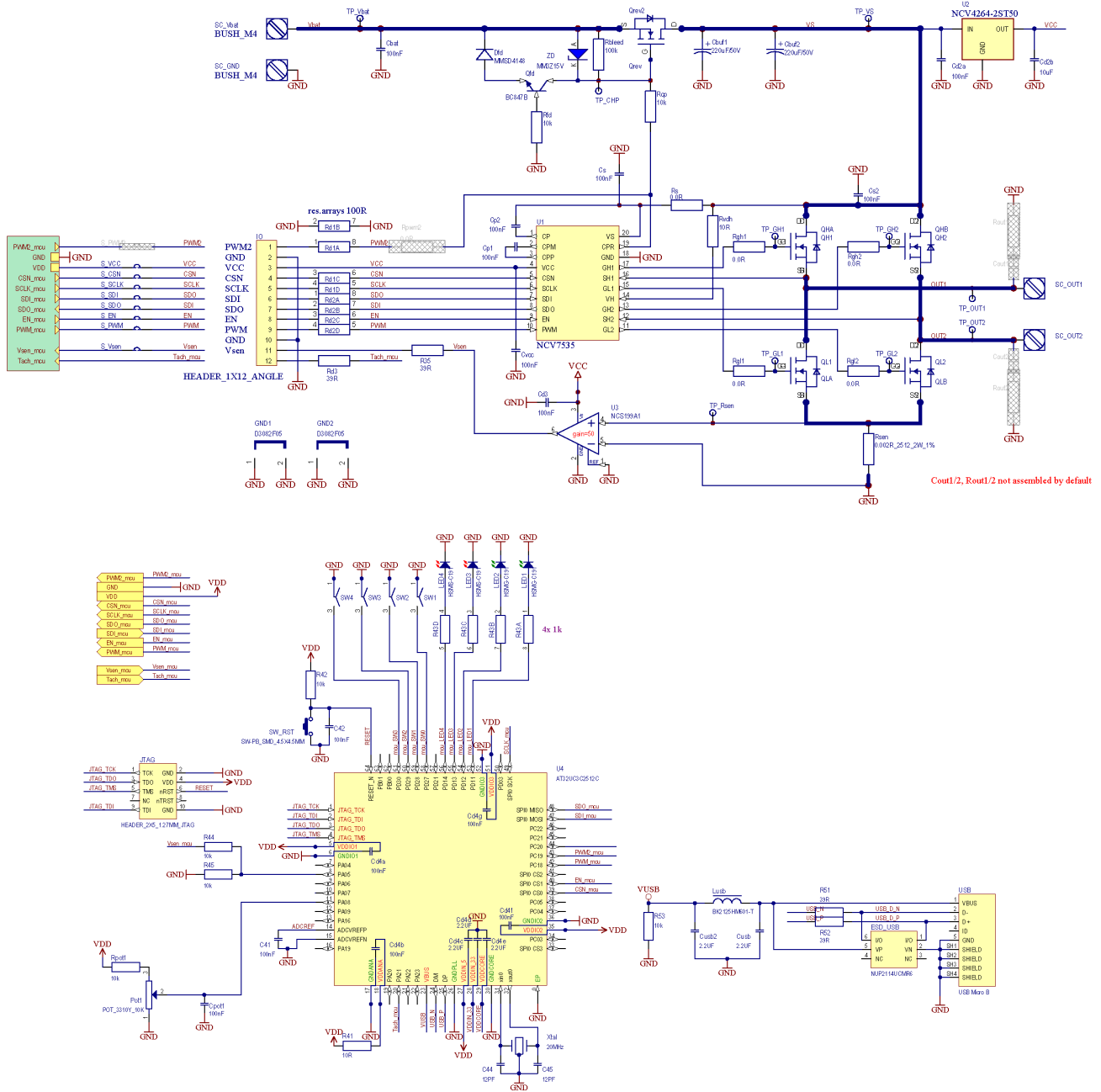
- N-MOSFET Reverse Protection and Decoupling on the Main (Battery) Supply (in Dual SO8FL or μ 8FL Packages)
- On-Board + 5 V LDO
- MCU with USB Interface Controlling NCV7535
- One-Row Pin Header, Providing the Circuit Signals, Enables Easy Insertion of the Evaluation Board into a More Complex Application Setup.
- On-Board Current Sense Shunt Resistor and Current Amplifier
- Good Thermal Connection of the Power MOSFETs Allowing High Current Capability
- Oscilloscope Test-Points on All Important Signals
- M4 Screw Connectors for Power Signals (Battery, Ground, Outputs)
- Switches and Potentiometer for Standalone Mode Control
- LEDs for Diagnostics



NCV7535VMFD5C466GEVB

SCHEMATIC

The evaluation board consists of two main blocks: NCV7535 application and control MCU including USB interface (see Figure 1).



NCV7535VMFD5C466GEVB

Table 1. ABSOLUTE MAXIMUM RATINGS

Rating	External Pin	Min	Max	Unit
Power Supply Voltage	Vbat	-40	40	V
Digital Supply voltage	VCC	-0.3	5.5	V
Digital Inputs/outputs voltage	CSN, SCLK, SDI, SDO, EN, PWM	-0.3	VCC+0.3	V
Current sense output voltage	Vsen	-0.3	VCC+0.3	
Current sense output current	Vsen	Internally Limited		A
H-bridge outputs DC voltage	OUT1,2	-0.3	Vbat+0.3	V
H-bridge outputs DC current	OUT1,2	-20	+20	A
NCV7535 junction temperature		-40	+150	°C
Qrev, QH1/2, QL1/2 junction temperature		-55	+175	°C
Board temperature		-40	+125	°C

Stresses exceeding those listed in the Maximum Ratings table may damage the device. If any of these limits are exceeded, device functionality should not be assumed, damage may occur and reliability may be affected.

Table 2. RECOMMENDED BOARD OPERATING CONDITIONS

Rating	External Pin	Min	Max	Unit
Power Supply Voltage	Vbat	6	28	V
Digital Supply voltage	VCC	+5 V \pm 2% (on-board supply)		V
Digital Inputs/outputs voltage	CSN, SCLK, SDI, SDO, EN, PWM	0	VCC	V
Current sense output voltage	Vsen	Generated internally		
Current sense output current	Vsen	Internally Limited		A
H-bridge outputs DC voltage	OUT1,2	0	Vbat	V
H-bridge outputs DC current	OUT1,2	Limited by max. junction/board temperature		A
NCV7535 junction temperature		-40	+150	°C
Qrev, QH1/2, QL1/2 junction temperature		-55	+175	°C
Board temperature		-40	+125	°C

NCV7535VMFD5C466GEVB

OPERATIONAL GUIDELINES

NCV7535 is a monolithic SPI controlled H-bridge pre-driver for a DC-motor with enhanced feature set useful in automotive systems.

The evaluation board contains all the components necessary for NCV7535 application: a control MCU, USB interface, + 5 V LDO supply for VCC and current sense amplifier.

An external MCU can be connected through the IO connector to control all functions and settings of NCV7535.

Board Configuration

The NCV7535 evaluation board allows several modes of operation:

- Standalone / full-demonstration using on-board MCU
 - ◆ MCU is controlled via micro USB connector “USB”
 - ◆ NCV7535 digital signals are still accessible via “IO” connector
- NCV7535 evaluation only; external control
 - ◆ External SPI control has to be connected via “IO” USB connector

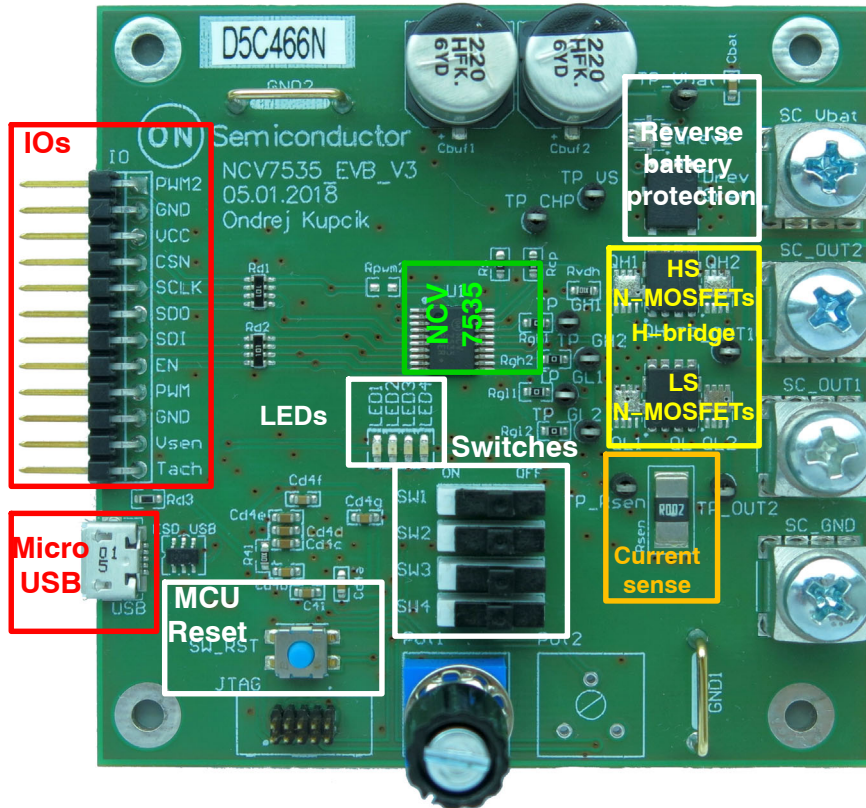


Figure 2. NCV7535 Evaluation Board Picture, top side

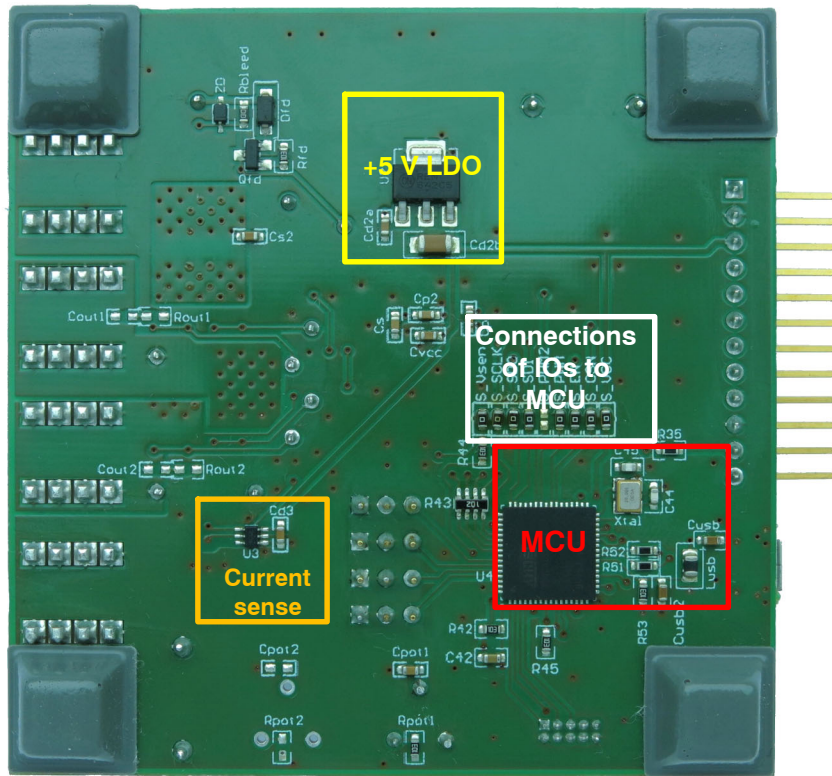


Figure 3. NCV7535 Evaluation Board Picture, bottom side

FUNCTIONAL DESCRIPTION

Power Supply

The output stage of NCV7535 pre-driver is supplied via VS pin. Normally, this pin is directly connected to the H-bridge supply. N-MOSFET Qrev ensures battery-reverse protection.

By default, H-bridge power supply is buffered by two 220 μ F capacitors covering high current peaks caused by the inrush current or PWM operation and absorbing energy stored in motor coils in case of the supply voltage disappears.

The NCV7535 supply (VS pin) can be optionally filtered using a non-zero value of Rs resistor.

Current Sensing Amplifier

NCV7535 evaluation board contains a low-side sense resistor and operational amplifier for H-bridge current sensing.

The power MOSFETs as well as sensing resistor Rsen value are selected according to maximum application DC current. Higher current is possible for limited time as long as the junction and board temperatures are not exceeded.

The used dedicated current-sensing amplifier (NCS199A1) has a fixed gain of 50 and the output is referenced to GND.

The resulting A-V ratio (with Rsen = 2 m Ω) is:

$$V_{sen} = 0.1 \times I_{out}$$

GETTING STARTED

The board supports three ways of NCV7535 device control:

1. Standalone mode – PWM duty-cycle (motor speed) can be changed via on-board potentiometer. Additional device setting is available through on-board switches.
2. PC control – the user have full control over NCV7535 settings using PC connected to the board via USB.
3. External MCU control – external MCU controls the all the NCV7535 settings directly via SPI and PWM pin. The on-board MCU has to be disconnected from these signals (S_xxx 0R resistors on the bottom side have to be disconnected).

Standalone mode

1. Connect the load to “OUT1/2” bush connectors
2. Connect the main supply to “Vbat and “GND” bush connectors. The MCU starts in the Standalone mode automatically and NCV7535 is configured into the Active mode.
3. The motor speed (PWM duty-cycle) can be changed by “Pot1”
4. SW1-4 change additional H-bridge settings as listed in the table below.
5. LED1-4 indicate NCV7535 status

NCV7535VMFD5C466GEVB

Table 3. Function of Switches

Switch	Function	SW Left Position (“ON”)	SW Right Position (“OFF”)
SW1	Direction	LS1 + HS2	HS1 + LS2
SW2	Free-Wheeling (FWH)	High-Side	Low-Side
SW3	Free-Wheeling (FWA)	Active	Passive
SW4	Slopes (SRF), PWM frequency	Fast, 20 kHz	Slow, 200 Hz

Table 4. Functions of LEDs

LED	Function	Color
LED1	Indication of PC control mode	Green
LED2	Device ready (!NRDY bit)	Green
LED3	Failure (FLT bit)	Red
LED4	Indication of firmware flashing	Red

To enter the Standalone mode from PC controlled mode, the supply of the board needs to be dsiconnected or MCU reset by “SW_RST” button.

PC control mode

1. Connect load to “OUT1/2” bush connectors.
2. Connect main supply to “Vbat” and “GND” bush connectors.
3. Connect the board by a Micro-USB connector to a PC, wait for drivers installation, if needed
4. Run NCV7535 EVB software.
5. In the startup frame select corresponding virtual COM port (you may need click the Refresh button several times).
6. Click “Connect” button.
7. The software should connect to the board. If the connection was successful, “Basic” window opens and the Standalone mode is left, which is indicated by LED1 on.
8. Several level of control abstractions are available through “Window” item in the menu bar.

9. “Board” window provides all application controls:
 - a. PWM generator inside the MCU (independent on NCV7535 configuration).
 - b. Analog-to-Digital converter inside the MCU for actual current measurement. Please note that actual current of a brushed motor may vary.
 - c. “Mode Control” allows access to EN pin and CONTROL_0.MODE SPI bit of NCV7535
 - d. “Output Control” allows basic control of the H-bridge
 - e. “Configuration” allows changing the most important NCV7535 settings.
 - f. “Status” part combines diagnostic flags from STATUS_0 SPI register and Global Status Bits.
10. “SPI Controller” window provides direct access to all NCV7535 SPI registers.
11. “SPI Raw” window provides direct SPI communication without any limitation and baud rate setting.
12. “Chip ID” window allows readout of NCV7535 ID Register.

NCV7535VMFD5C466GEVB

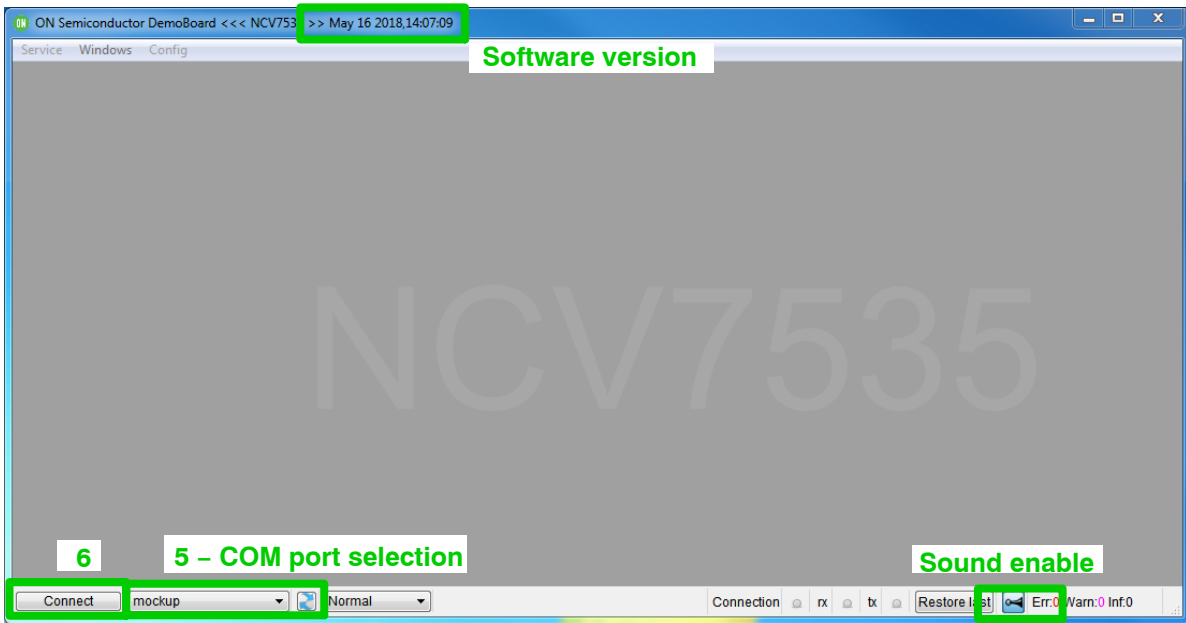


Figure 4. NCV7535 Controller Framework

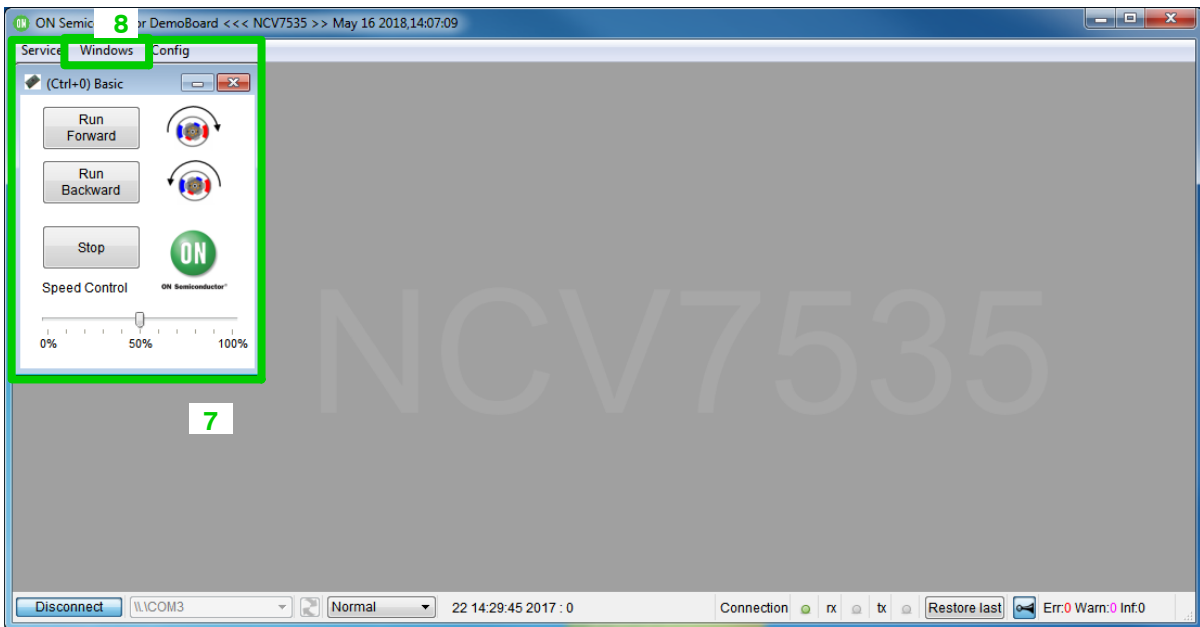


Figure 5. NCV7535 Controller Windows: Basic

NCV7535VMFD5C466GEVB

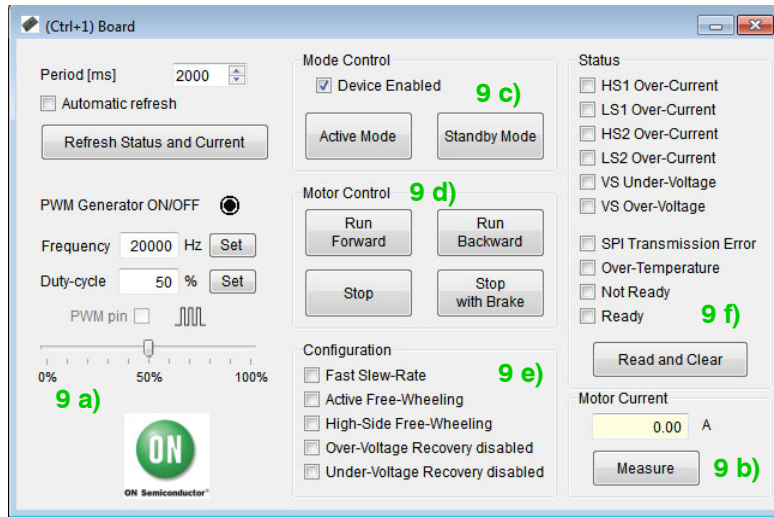


Figure 6. NCV7535 Controller Windows: Board

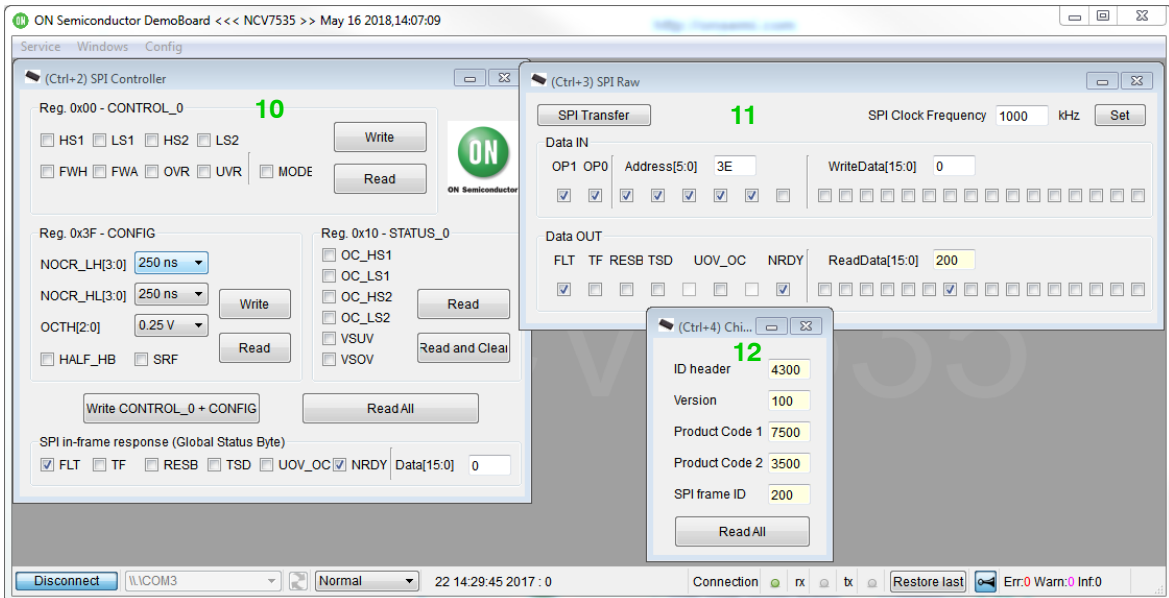


Figure 7. NCV7535 Controller Windows: SPI Controller, SPI Raw, Chip ID

NCV7535VMFD5C466GEVB

PCB DRAWINGS

Assembly Drawings

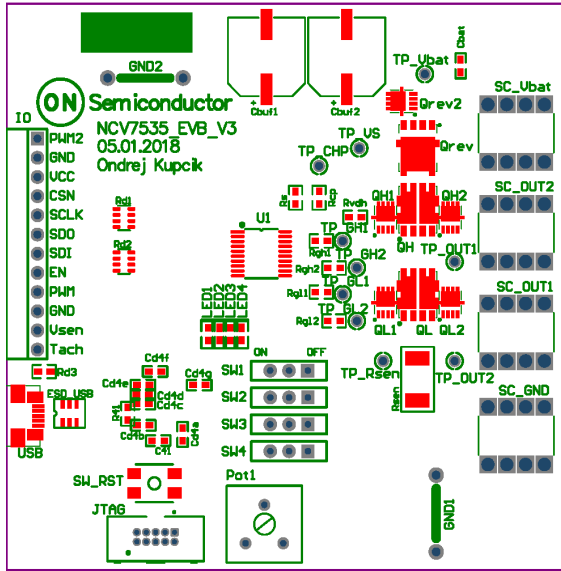


Figure 8. NCV7535 EVB PCB Top Assembly Drawing

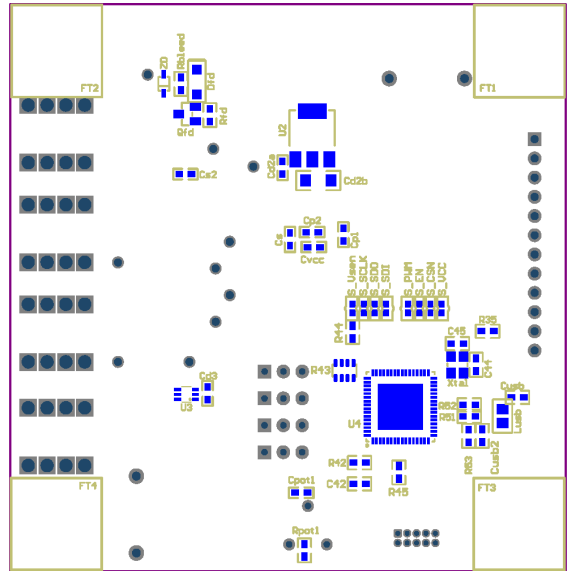


Figure 9. NCV7535 EVB PCB Bottom Assembly Drawing

Composite Drawings

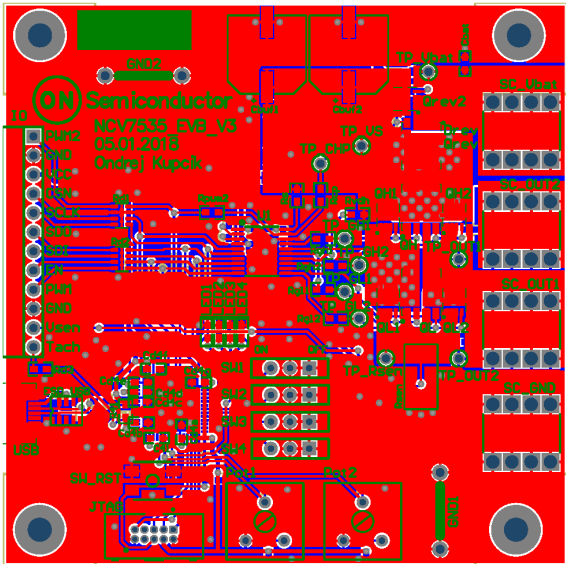


Figure 10. NCV7535 EVB PCB Top Composite Drawing

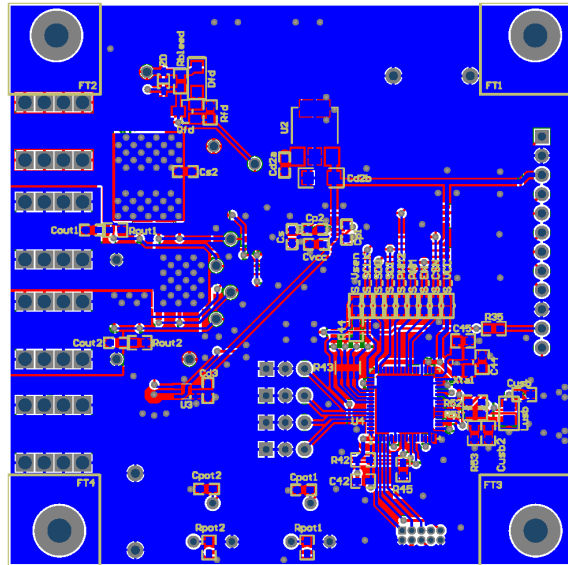


Figure 11. NCV7535 EVB PCB Bottom Composite Drawing

onsemi, **Onsemi**, and other names, marks, and brands are registered and/or common law trademarks of Semiconductor Components Industries, LLC dba "**onsemi**" or its affiliates and/or subsidiaries in the United States and/or other countries. **onsemi** owns the rights to a number of patents, trademarks, copyrights, trade secrets, and other intellectual property. A listing of **onsemi**'s product/patent coverage may be accessed at www.onsemi.com/site/pdf/Patent-Marking.pdf. **onsemi** is an Equal Opportunity/Affirmative Action Employer. This literature is subject to all applicable copyright laws and is not for resale in any manner.

The evaluation board/kit (research and development board/kit) (hereinafter the "board") is not a finished product and is not available for sale to consumers. The board is only intended for research, development, demonstration and evaluation purposes and will only be used in laboratory/development areas by persons with an engineering/technical training and familiar with the risks associated with handling electrical/mechanical components, systems and subsystems. This person assumes full responsibility/liability for proper and safe handling. Any other use, resale or redistribution for any other purpose is strictly prohibited.

THE BOARD IS PROVIDED BY ONSEMI TO YOU "AS IS" AND WITHOUT ANY REPRESENTATIONS OR WARRANTIES WHATSOEVER. WITHOUT LIMITING THE FOREGOING, ONSEMI (AND ITS LICENSORS/SUPPLIERS) HEREBY DISCLAIMS ANY AND ALL REPRESENTATIONS AND WARRANTIES IN RELATION TO THE BOARD, ANY MODIFICATIONS, OR THIS AGREEMENT, WHETHER EXPRESS, IMPLIED, STATUTORY OR OTHERWISE, INCLUDING WITHOUT LIMITATION ANY AND ALL REPRESENTATIONS AND WARRANTIES OF MERCHANTABILITY, FITNESS FOR A PARTICULAR PURPOSE, TITLE, NON-INFRINGEMENT, AND THOSE ARISING FROM A COURSE OF DEALING, TRADE USAGE, TRADE CUSTOM OR TRADE PRACTICE.

onsemi reserves the right to make changes without further notice to any board.

You are responsible for determining whether the board will be suitable for your intended use or application or will achieve your intended results. Prior to using or distributing any systems that have been evaluated, designed or tested using the board, you agree to test and validate your design to confirm the functionality for your application. Any technical, applications or design information or advice, quality characterization, reliability data or other services provided by **onsemi** shall not constitute any representation or warranty by **onsemi**, and no additional obligations or liabilities shall arise from **onsemi** having provided such information or services.

onsemi products including the boards are not designed, intended, or authorized for use in life support systems, or any FDA Class 3 medical devices or medical devices with a similar or equivalent classification in a foreign jurisdiction, or any devices intended for implantation in the human body. You agree to indemnify, defend and hold harmless **onsemi**, its directors, officers, employees, representatives, agents, subsidiaries, affiliates, distributors, and assigns, against any and all liabilities, losses, costs, damages, judgments, and expenses, arising out of any claim, demand, investigation, lawsuit, regulatory action or cause of action arising out of or associated with any unauthorized use, even if such claim alleges that **onsemi** was negligent regarding the design or manufacture of any products and/or the board.

This evaluation board/kit does not fall within the scope of the European Union directives regarding electromagnetic compatibility, restricted substances (RoHS), recycling (WEEE), FCC, CE or UL, and may not meet the technical requirements of these or other related directives.

FCC WARNING – This evaluation board/kit is intended for use for engineering development, demonstration, or evaluation purposes only and is not considered by **onsemi** to be a finished end product fit for general consumer use. It may generate, use, or radiate radio frequency energy and has not been tested for compliance with the limits of computing devices pursuant to part 15 of FCC rules, which are designed to provide reasonable protection against radio frequency interference. Operation of this equipment may cause interference with radio communications, in which case the user shall be responsible, at its expense, to take whatever measures may be required to correct this interference.

onsemi does not convey any license under its patent rights nor the rights of others.

LIMITATIONS OF LIABILITY: **onsemi** shall not be liable for any special, consequential, incidental, indirect or punitive damages, including, but not limited to the costs of requalification, delay, loss of profits or goodwill, arising out of or in connection with the board, even if **onsemi** is advised of the possibility of such damages. In no event shall **onsemi**'s aggregate liability from any obligation arising out of or in connection with the board, under any theory of liability, exceed the purchase price paid for the board, if any.

The board is provided to you subject to the license and other terms per **onsemi**'s standard terms and conditions of sale. For more information and documentation, please visit www.onsemi.com.

PUBLICATION ORDERING INFORMATION

LITERATURE FULFILLMENT:

Email Requests to: orderlit@onsemi.com

onsemi Website: www.onsemi.com

TECHNICAL SUPPORT

North American Technical Support:

Voice Mail: 1 800-282-9855 Toll Free USA/Canada

Phone: 011 421 33 790 2910

Europe, Middle East and Africa Technical Support:

Phone: 00421 33 790 2910

For additional information, please contact your local Sales Representative