

Modem Chip Single 1.2Kbps

Manufacturer:	CML Microcircuits
Package/Case:	SOP24
Product Type:	Communication & Networking ICs
RoHS:	RoHS Compliant/Lead free
Lifecycle:	Obsolete



Images are for reference only

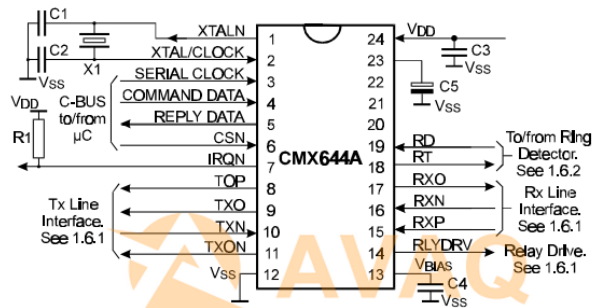
[Inquiry](#)

General Description

Avaq Semiconductor offers the highly versatile and reliable CMX644AD2 driver, produced by CML Microcircuits. With its multifunctional and high-performance capabilities, this component is an excellent choice for a wide range of electronic projects.

To ensure that you have all the necessary information to make the most of this component, Avaq provides a free datasheet PDF, as well as circuit diagrams, pin layouts, pin details, pin voltage ratings, and equivalent components for the CMX644AD2.

Avaq also offers free samples. Simply fill out and submit the sample request form to receive your free samples for testing. If you have any questions, please feel free to contact us at ar



R1	100kΩ *	C1, C2	18pF
X1	3.6864MHz, 7.372800MHz or 11.0592MHz	C3, C4	0.1μF
		C5	1μF

Resistors ±1%, capacitors ±20% unless otherwise stated.

* R1 should be selected so that the IRQN pin has returned to its normal (high) state before the CSN pin goes high.

Figure 2 Recommended External Components for Typical Application

Recommended For You

CMX624D2

CML Microcircuits

SOP24

CMX612P6

CML Microcircuits

DIP16

CMX612E3

CML Microcircuits

TSSOP

CMX869P4

CML Microcircuits

DIP24

CMX867D2

CML Microcircuits

SOP24

CMX868P4

CML Microcircuits

DIP24

CMX644AP4

CML Microcircuits

DIP

CMX673P1

CML Microcircuits

DIP-8

CMX602AD4

CML Microcircuits

SOP16

CMX624P4

CML Microcircuits

DIP24

FX589DW

CML Microcircuits

SOP24

MX589P

CML Microcircuits

DIP24

MX629LH

CML Microcircuits

PLCC

MX469P

CML Microcircuits

DIP

MX629J

CML Microcircuits

DIP