

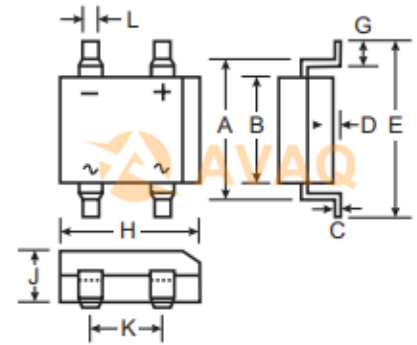
Rectifier Bridge Diode Single 1KV 1.5A 4-Pin Case DFS T/R

Manufacturer: [Diodes Inc](#)

Package/Case: DFS

Product Type: Thyristors

Lifecycle: Active



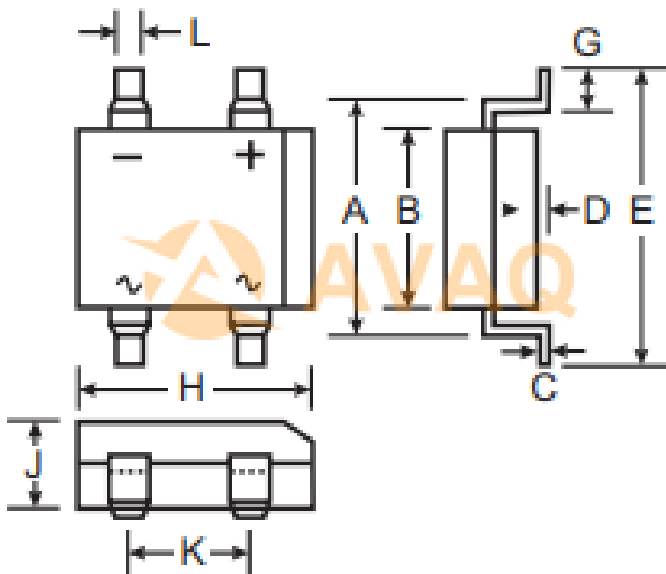
Images are for reference only

[Inquiry](#)

General Description

REVERSE VOLTAGE - 50 to 1000 Volts

FORWARD CURRENT - 1.5 Amperes



Recommended For You

DF04S-T

Diodes Inc

DF-S

DF02M

Diodes Inc

DIP4

DF1506S-T

Diodes Inc

DF-S

DF01M

Diodes Inc

DIP-4

DF1506S

Diodes Inc

SOP-4

DF005M

Diodes Inc

DIP4

DF08M

Diodes Inc

DIP-4

DFLS130-7

Diodes Inc

SOD123

DF10S-T

Diodes Inc

SMD-4

DF01S-T

Diodes Inc

SOP4

DF06S-T

Diodes Inc

DFS

DF005S-T

Diodes Inc

SOP4

DF1501S-T

Diodes Inc

DF-S

DF1504S-T

Diodes Inc

DF-S

DF1502S-T

Diodes Inc

SOP-4