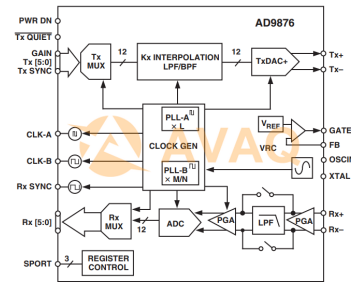


## AFE Modem 1 ADC 12bit 48-Pin LQFP

<b>Manufacturer:</b>	Analog Devices, Inc
<b>Package/Case:</b>	QFP
<b>Product Type:</b>	Data Conversion ICs
<b>Lifecycle:</b>	Obsolete



Images are for reference only

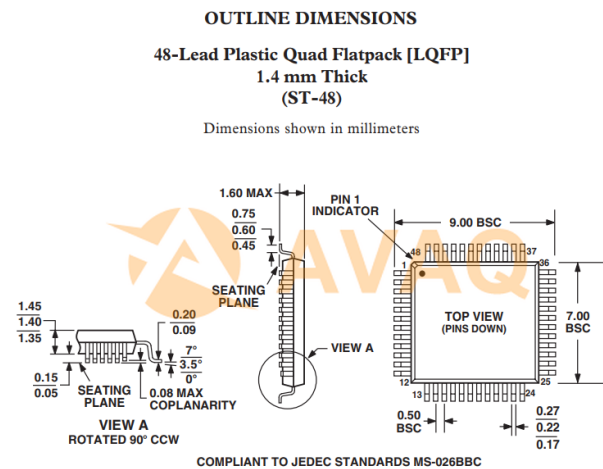
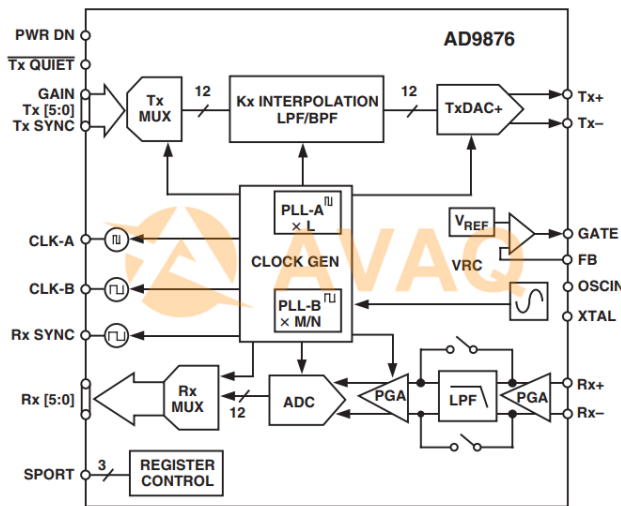
Inquiry

### General Description

Avaq Semiconductor offers the highly versatile and reliable AD9876BST driver, produced by Analog Devices, Inc. With its multifunctional and high-performance capabilities, this component is an excellent choice for a wide range of electronic projects.

To ensure that you have all the necessary information to make the most of this component, Avaq provides a free datasheet PDF, as well as circuit diagrams, pin layouts, pin details, pin voltage ratings, and equivalent components for the AD9876BST.

Avaq also offers free samples. Simply fill out and submit the sample request form to receive your free samples for testing. If you have any questions, please feel free to contact us at ar



### Recommended For You

<p><b>AD7305BRZ</b></p> <p>Analog Devices, Inc</p> <p>SOP20</p>	<p><b>AD9910BSVZ</b></p> <p>Analog Devices, Inc</p> <p>TQFP100</p>	<p><b>AD9831ASTZ</b></p> <p>Analog Devices, Inc</p> <p>QFP</p>
<p><b>AD5447YRUZ</b></p> <p>Analog Devices, Inc</p> <p>TSSOP</p>	<p><b>AD5302BRMZ</b></p> <p>Analog Devices, Inc</p> <p>MSOP10</p>	<p><b>AD5531BRUZ</b></p> <p>Analog Devices, Inc</p> <p>TSSOP16</p>

**AD537JH**

Analog Devices, Inc

CAN10

**AD652AQ**

Analog Devices, Inc

DIP

**AD654JN**

Analog Devices, Inc

DIP8

**AD7740YRMZ**

Analog Devices, Inc

MSOP8

**AD9914BCPZ**

Analog Devices, Inc

LFCSP

**AD7331IARSZ**

Analog Devices, Inc

SSOP20

**AD7291BCPZ**

Analog Devices, Inc

LFCSP20

**AD9954YSVZ**

Analog Devices, Inc

QFP

**AD2S1205YSTZ**

Analog Devices, Inc

LQFP44