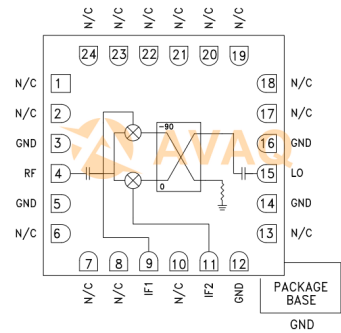


## Up/Down Conv Mixer 7GHz 24-Pin CLLCC EP T/R

<b>Manufacturer:</b>	Analog Devices, Inc
<b>Package/Case:</b>	QFN
<b>Product Type:</b>	RF Integrated Circuits
<b>RoHS:</b>	RoHS Compliant/Lead free
<b>Lifecycle:</b>	Obsolete

**Functional Diagram**



Images are for reference only

Inquiry

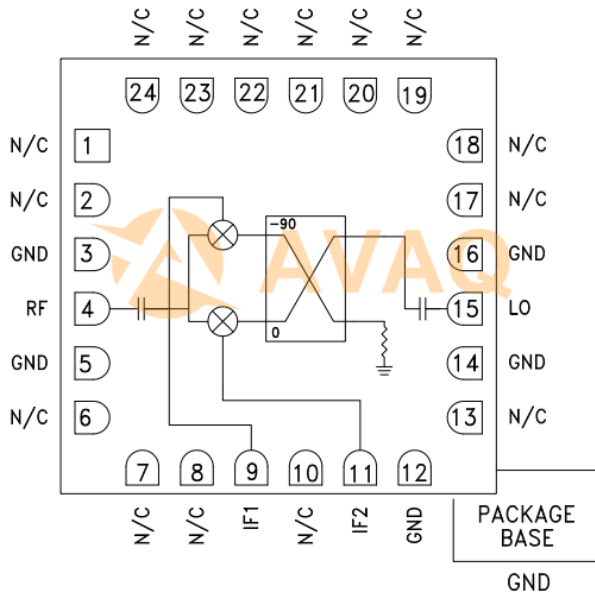
### General Description

Avaq Semiconductor offers the highly versatile and reliable HMC620LC4TR driver, produced by Analog Devices, Inc. With its multifunctional and high-performance capabilities, this component is an excellent choice for a wide range of electronic projects.

To ensure that you have all the necessary information to make the most of this component, Avaq provides a free datasheet PDF, as well as circuit diagrams, pin layouts, pin details, pin voltage ratings, and equivalent components for the HMC620LC4TR.

Avaq also offers free samples. Simply fill out and submit the sample request form to receive your free samples for testing. If you have any questions, please feel free to contact us at ar

### Functional Diagram



### Recommended For You

<b>HMC624ALP4E</b> Analog Devices, Inc QFN24	<b>HMC952ALP5GE</b> Analog Devices, Inc QFN	<b>HMC361S8GE</b> Analog Devices, Inc SOP-8
--	---	---

**HMC253AQS24E**

Analog Devices, Inc

QFN

**HMC346MS8G**

Analog Devices, Inc

MSOP8

**HMC1119LP4ME**

Analog Devices, Inc

QFN

**HMC659LC5**

Analog Devices, Inc

QFN

**HMC909LP4E**

Analog Devices, Inc

QFN

**HMC564LC4**

Analog Devices, Inc

QFN

**HMC1021LP4E**

Analog Devices, Inc

QFN

**HMC241AQS16E**

Analog Devices, Inc

SSOP16

**HMC424LP3E**

Analog Devices, Inc

QFN

**HMC662LP3E**

Analog Devices, Inc

QFN

**HMC8038LP4CE**

Analog Devices, Inc

QFN16

**HMC363S8G**

Analog Devices, Inc

SOP8