

NB4N840MMNEVB

Evaluation Board User's Manual for NB4N840M



ON Semiconductor®

<http://onsemi.com>

EVAL BOARD USER'S MANUAL

Description

The NB4N840M Evaluation Board was designed to provide a flexible and convenient platform to quickly evaluate, characterize and verify the performance and operation of the NB4N840M dual 2 x 2 Crosspoint Switch. This user's manual provides detailed information on the board's contents, layout and use. The manual should be used in conjunction with the NB4N840M data sheet which contains full technical details on device specifications and operation.

The NB4N840M is a high-bandwidth fully differential dual 2 x 2 crosspoint switch with CML inputs/outputs that is suitable for applications such as SDH/SONET DWDM and high speed switching. Fully differential design techniques are used to minimize jitter accumulation, crosstalk, and signal skew, which make this device ideal for loop-through and protection channel switching

applications. Each 2 x 2 crosspoint switch can fan-out and/or multiplex up to 3.2 Gb/s data and 2.7 GHz clock signals.

Internally terminated differential CML inputs accept AC-coupled LVPECL (Positive ECL) or direct coupled CML signals. By providing internal 50 Ω input and output termination resistor, the need for external components is eliminated and interface reflections are minimized. Differential 16 mA CML outputs provide matching internal 50 Ω terminations, and 400 mV output swings when externally terminated, 50 Ω to V_{CC} .

Single-ended LVCMOS/LVTTL SEL inputs control the routing of the signals through the crosspoint switch which makes this device configurable as 1:2 fan-out, repeater or 2 x 2 crosspoint switch. The device is housed in a low profile 5 x 5 mm 32-pin QFN package.

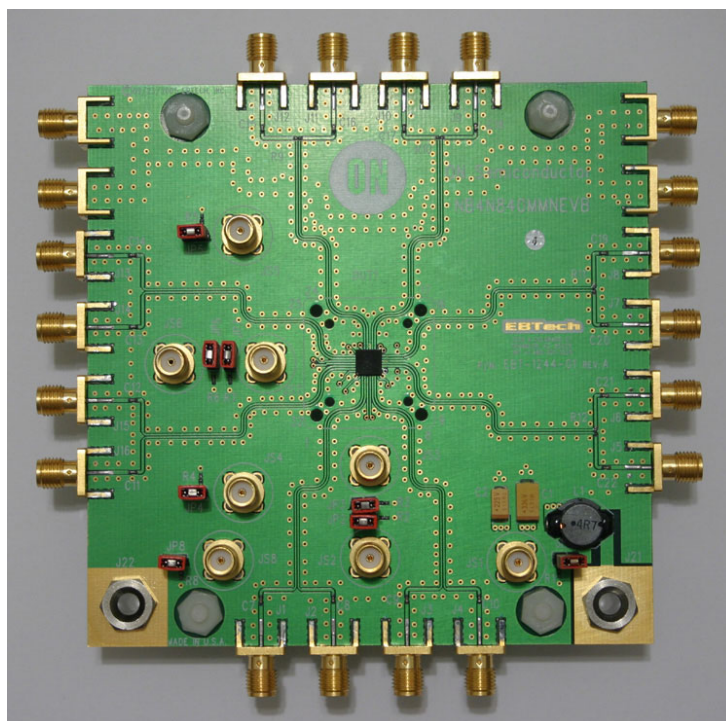


Figure 1. NB4N840M Evaluation Board

NB4N840MMNEVB

Board Features

- Fully assembled evaluation board
- Accommodates the electrical characterization of the NB4N840M in the QFN32 package
- Equal length input and output data lines to minimize skew
- Selectable jumpers
- Single + 3.3 V supply

This Evaluation Board Manual Contains

- Information on the NB4N840M Evaluation Board
- Appropriate Lab Setup Details
- Evaluation Board Layout
- Bill of Materials

Setup for Measurements

Step 1: Basic Equipment

- Signal Generator
- Oscilloscope
- Power Supply
- Voltmeter
- Matched High-Speed Cables with SMA Connectors

Step 2: Power Supply Connections

+ 3.3 V must be provided to the board for V_{CC} .

Table 1. Power Supply Connections

| Supply | Value | Connector |
|----------|---------|-----------|
| V_{CC} | + 3.3 V | J21 |
| GND | 0 V | J22 |

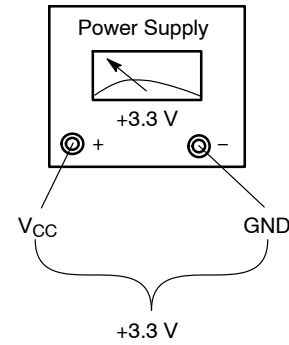


Figure 2. Power Supply Connections

Step 3: Input Connections

DA_n and DB_n require CML drive levels and provide internal 50 Ω to V_{CC} termination resistors to eliminate external components and minimize reflections. Ensure that the CML devices driving these inputs are not redundantly terminated.

Table 2. Input Connectors

| Inputs | Board Connector |
|------------------|-----------------|
| DA0 | J13 |
| $\overline{DA0}$ | J14 |
| DA1 | J15 |
| $\overline{DA1}$ | J16 |
| DB0 | J3 |
| $\overline{DB0}$ | J4 |
| DB1 | J1 |
| $\overline{DB1}$ | J2 |

Step 4: Control and Select Pins

Jumpers JP1, JP2, JP5, and JP6 select the input signals for channel A and B outputs. Jumpers JP3, JP4, JP7, and JP8 enable the output drivers for channel A and B (refer to Table 3 for output routing).

Table 3. Output Routing

| ROUTING CONTROLS | | OUTPUT CONTROLS | | OUTPUT SIGNALS | |
|----------------------------|----------------------------|--------------------------|--------------------------|------------------------|------------------------|
| SELA0 / SELB0 JP6 / JP2 | SELA1 / SELB1 JP5 / JP1 | ENA0 / ENA1 JP7 / JP8 | ENB0 / ENB1 JP3 / JP4 | Signal at QA0 / QB0 | Signal at QA1 / QB1 |
| L | L | H | H | DA0 / DB0 | DA0 / DB0 |
| L | H | H | H | DA0 / DB0 | DA1 / DB1 |
| H | L | H | H | DA1 / DB1 | DA0 / DB0 |
| H | H | H | H | DA1 / DB1 | DA1 / DB1 |
| X | X | L | L | Power Down | Power Down |

NB4N840MMNEVB

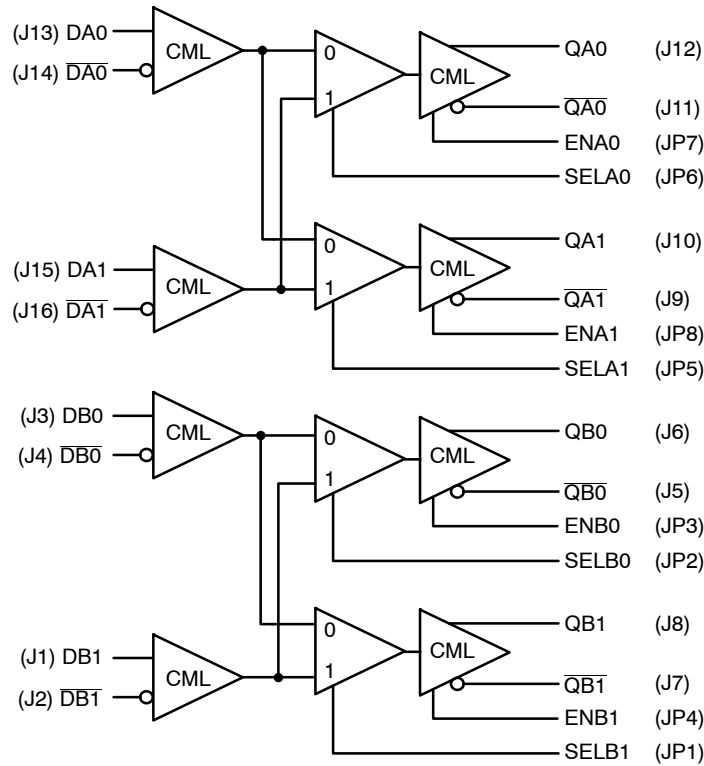


Figure 3. NB4N840M Evaluation Board Connector Configuration

Step 5: Output Connections

The CML outputs, QAn and QBn, must be AC-coupled to a 50 Ω termination (100 Ω differential) load. On-board 100-Ω differential terminations are provided to reduce noise on outputs that are not used. Connect the QAn/QBn CML outputs to the oscilloscope with equally matched cables.

1. Monitoring One or More CML Outputs with 50 Ω Oscilloscope Inputs

- a. Leave the coupling capacitors in series with the outputs.
- b. Remove the associated 100 Ω differential load resistors from the evaluation board on the outputs (R9–R12).
- c. It is important to remove the 100 Ω resistor on the output monitored, otherwise the load impedance will not match the characteristic impedance of the line and the resulting reflections will cause a degradation in the output signal quality.
- d. If you are observing a single-ended output, balance the other half with a 50 Ω termination to ground (through the AC-coupling capacitor).

2. Monitoring CML Outputs with High-Impedance Oscilloscope Inputs

- a. Leave the coupling capacitors in series with the outputs.
- b. Make sure the differential load resistors are on all the outputs (R9–R12).

Table 4. Output Connectors

| Outputs | Board Connector |
|---------|-----------------|
| QA0 | J12 |
| QA0̄ | J11 |
| QA1 | J10 |
| QA1̄ | J9 |
| QB0 | J6 |
| QB0̄ | J5 |
| QB1 | J8 |
| QB1̄ | J7 |

NB4N840MMNEVB

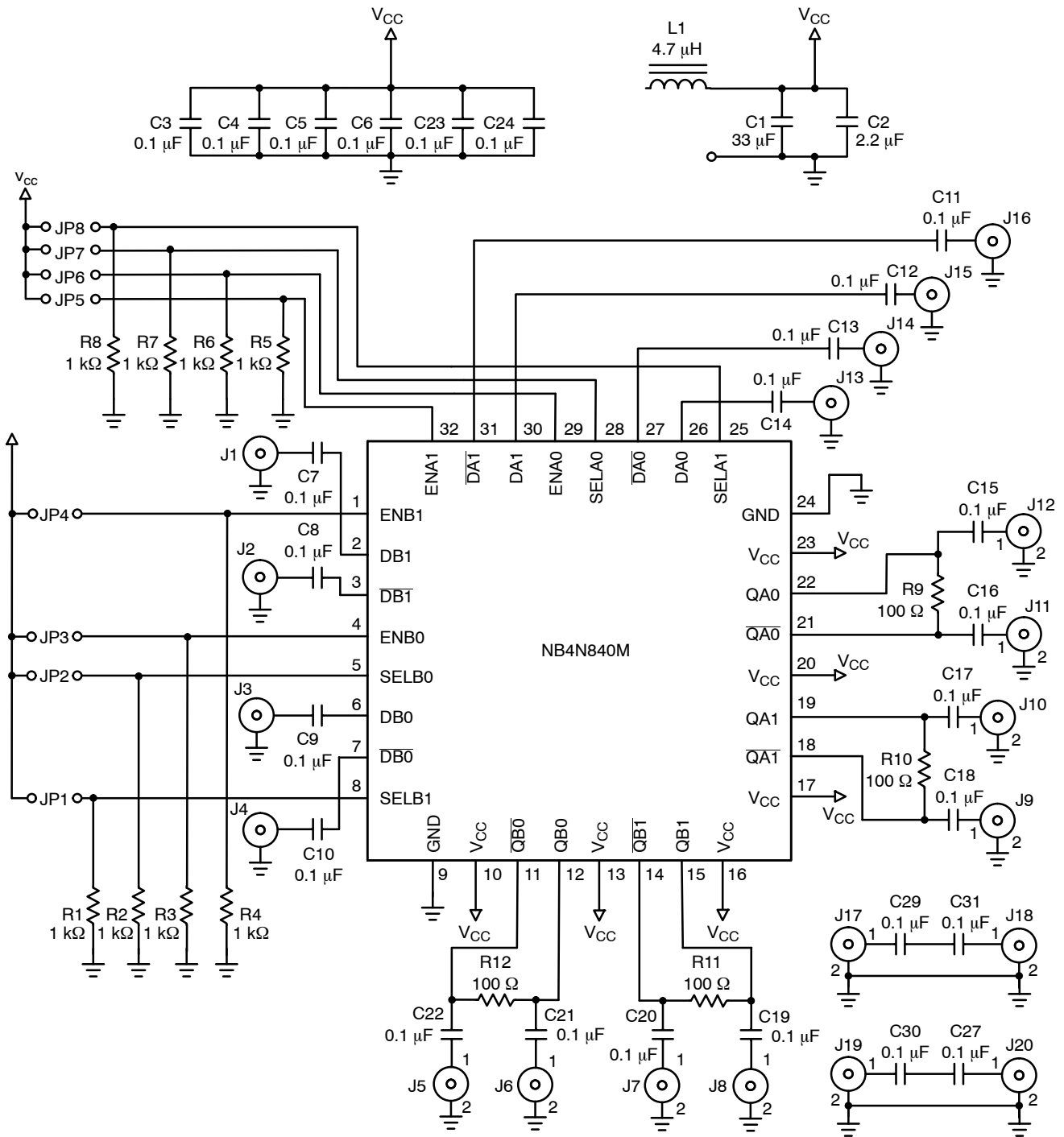


Figure 4. Evaluation Board Schematic

NB4N840MMNEVB

Table 5. BILL OF MATERIALS

| Ref. Number | Qty | Description | Manufacturer | Manufacturer Part No. (Notes 1, 2) |
|-----------------------------|-----|---|------------------|---------------------------------------|
| R1 – R8 | 8 | 1 k Ω \pm 1%, 0402, Resistors | Multicomp | MC0402WGF1001TCE-TR |
| R9 – R12 | 4 | 100 Ω \pm 1%, 0402, Resistors | Multicomp | MC0402WGF1000TCE-TR |
| C1 | 1 | 33 μ F \pm 10%, size "D", Tantalum Capacitor | Kemet | T491D336K016AT |
| C2 | 1 | 2.2 μ F \pm 10%, size "C", Tantalum Capacitor | Kemet | T491C225K035AT |
| C3 – C24, C27, C29 – C31 | 26 | 0.1 μ F \pm 10%, 0402, Ceramic Capacitors | Kemet | C0402C104K4RAC-TU |
| L1 | 1 | 4.7 μ H Inductor | Coilcraft | DT3316P-472MLB |
| U1 | 1 | 32 pin QFN | ON Semiconductor | NB4N840MMNG |
| J1 – J20 | 20 | SMA Edge Mount Connectors | Johnson | 142-0701-851 |
| JS1 – JS8 | 8 | SMA Connectors | Johnson | 142-0701-201 |
| J21, J22 | 2 | Test Point Jacks | | |
| JP1 – JP8 | 8 | 1x2 Pin Headers, (0.1 inch pitch) | SPC | SPC20485 |
| JP1 – JP8 | 8 | Shunts | SPC | SPC19809 |

1. Specified parts are RoHS-compliant.
2. Only RoHS-compliant equivalent parts may be substituted.

Board Lay-Up

This board is implemented in four layers and provides a high bandwidth 50 Ω controlled impedance environment. The pictures in Figures 5 through 9 show views of the four layers of the evaluation board. Board material is FR4.

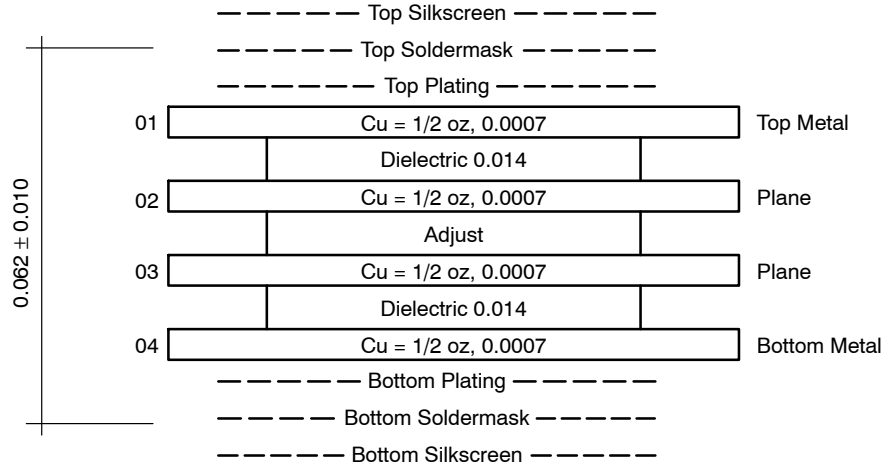


Figure 5. Evaluation Board Lay-Up

NB4N840MMNEVB

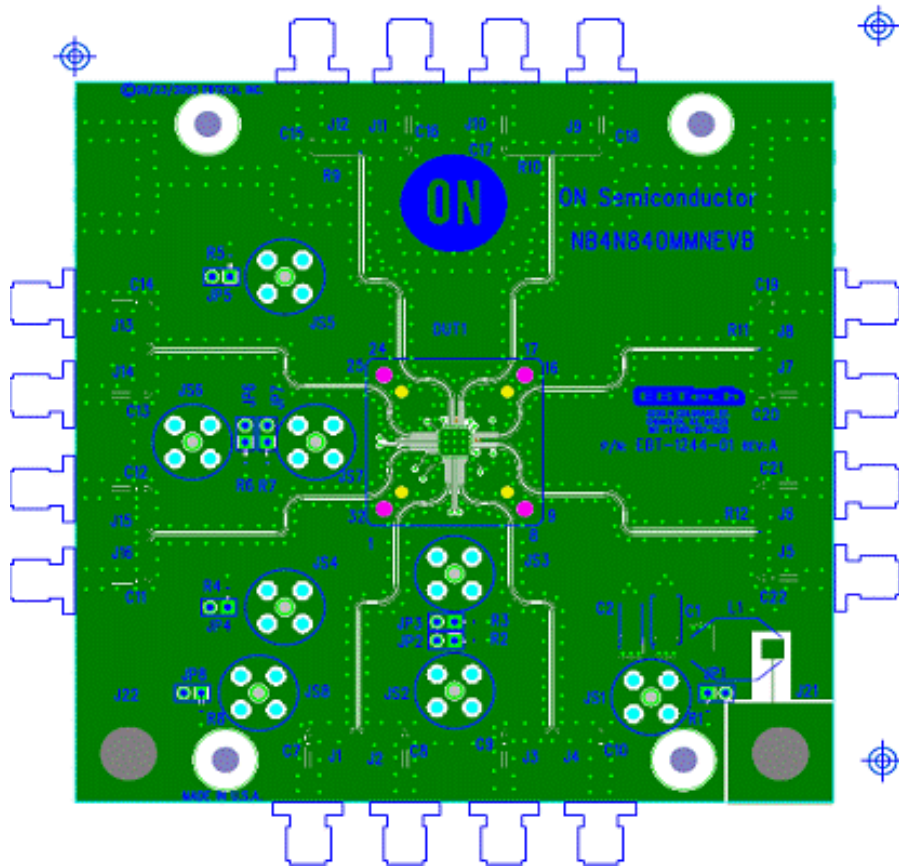


Figure 6. NB4N840MMN Evaluation Board Top (Component) Layer

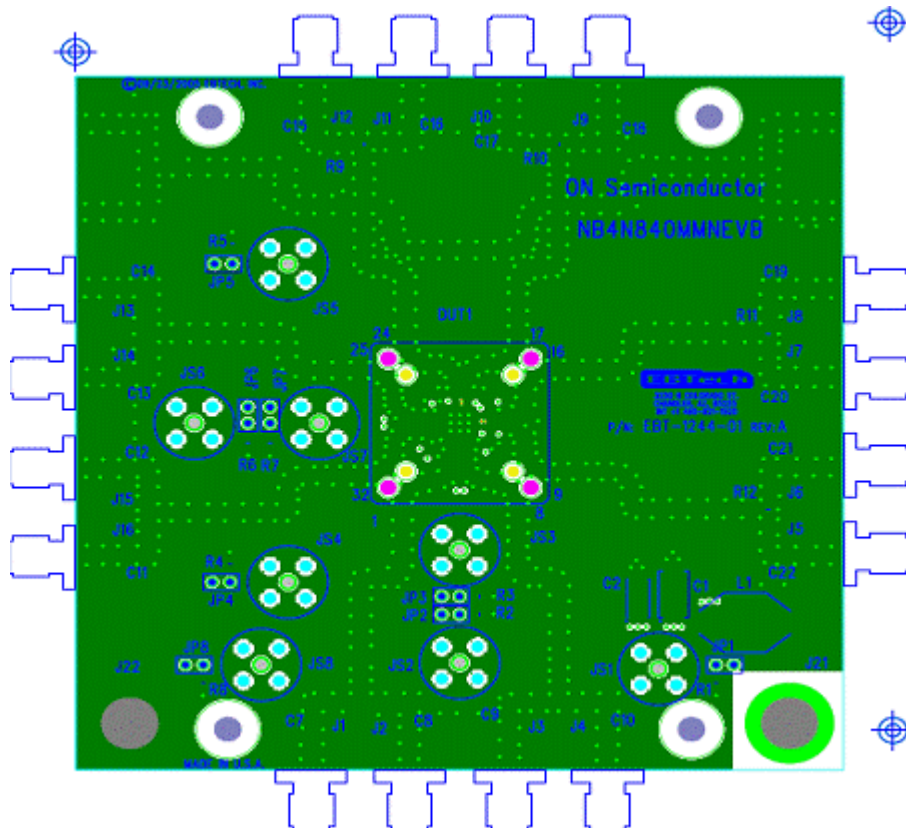


Figure 7. Ground Layer

NB4N840MMNEVB

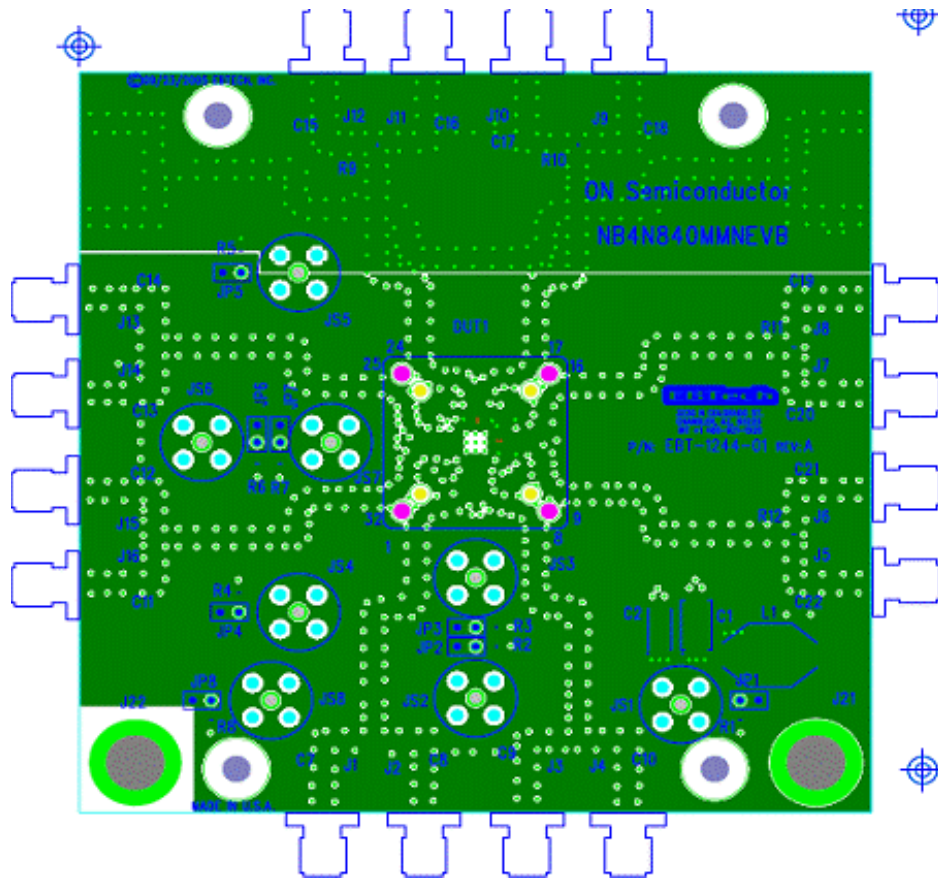


Figure 8. Power Layer

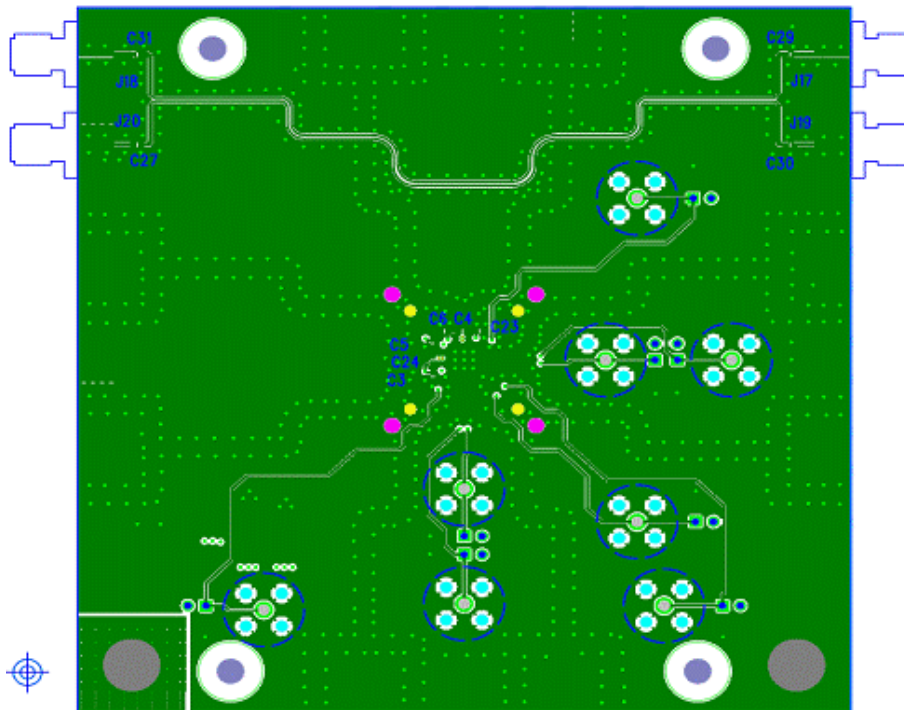


Figure 9. Bottom Layer

onsemi, **Onsemi**, and other names, marks, and brands are registered and/or common law trademarks of Semiconductor Components Industries, LLC dba "**onsemi**" or its affiliates and/or subsidiaries in the United States and/or other countries. **onsemi** owns the rights to a number of patents, trademarks, copyrights, trade secrets, and other intellectual property. A listing of **onsemi**'s product/patent coverage may be accessed at www.onsemi.com/site/pdf/Patent-Marking.pdf. **onsemi** is an Equal Opportunity/Affirmative Action Employer. This literature is subject to all applicable copyright laws and is not for resale in any manner.

The evaluation board/kit (research and development board/kit) (hereinafter the "board") is not a finished product and is not available for sale to consumers. The board is only intended for research, development, demonstration and evaluation purposes and will only be used in laboratory/development areas by persons with an engineering/technical training and familiar with the risks associated with handling electrical/mechanical components, systems and subsystems. This person assumes full responsibility/liability for proper and safe handling. Any other use, resale or redistribution for any other purpose is strictly prohibited.

THE BOARD IS PROVIDED BY ONSEMI TO YOU "AS IS" AND WITHOUT ANY REPRESENTATIONS OR WARRANTIES WHATSOEVER. WITHOUT LIMITING THE FOREGOING, ONSEMI (AND ITS LICENSORS/SUPPLIERS) HEREBY DISCLAIMS ANY AND ALL REPRESENTATIONS AND WARRANTIES IN RELATION TO THE BOARD, ANY MODIFICATIONS, OR THIS AGREEMENT, WHETHER EXPRESS, IMPLIED, STATUTORY OR OTHERWISE, INCLUDING WITHOUT LIMITATION ANY AND ALL REPRESENTATIONS AND WARRANTIES OF MERCHANTABILITY, FITNESS FOR A PARTICULAR PURPOSE, TITLE, NON-INFRINGEMENT, AND THOSE ARISING FROM A COURSE OF DEALING, TRADE USAGE, TRADE CUSTOM OR TRADE PRACTICE.

onsemi reserves the right to make changes without further notice to any board.

You are responsible for determining whether the board will be suitable for your intended use or application or will achieve your intended results. Prior to using or distributing any systems that have been evaluated, designed or tested using the board, you agree to test and validate your design to confirm the functionality for your application. Any technical, applications or design information or advice, quality characterization, reliability data or other services provided by **onsemi** shall not constitute any representation or warranty by **onsemi**, and no additional obligations or liabilities shall arise from **onsemi** having provided such information or services.

onsemi products including the boards are not designed, intended, or authorized for use in life support systems, or any FDA Class 3 medical devices or medical devices with a similar or equivalent classification in a foreign jurisdiction, or any devices intended for implantation in the human body. You agree to indemnify, defend and hold harmless **onsemi**, its directors, officers, employees, representatives, agents, subsidiaries, affiliates, distributors, and assigns, against any and all liabilities, losses, costs, damages, judgments, and expenses, arising out of any claim, demand, investigation, lawsuit, regulatory action or cause of action arising out of or associated with any unauthorized use, even if such claim alleges that **onsemi** was negligent regarding the design or manufacture of any products and/or the board.

This evaluation board/kit does not fall within the scope of the European Union directives regarding electromagnetic compatibility, restricted substances (RoHS), recycling (WEEE), FCC, CE or UL, and may not meet the technical requirements of these or other related directives.

FCC WARNING – This evaluation board/kit is intended for use for engineering development, demonstration, or evaluation purposes only and is not considered by **onsemi** to be a finished end product fit for general consumer use. It may generate, use, or radiate radio frequency energy and has not been tested for compliance with the limits of computing devices pursuant to part 15 of FCC rules, which are designed to provide reasonable protection against radio frequency interference. Operation of this equipment may cause interference with radio communications, in which case the user shall be responsible, at its expense, to take whatever measures may be required to correct this interference.

onsemi does not convey any license under its patent rights nor the rights of others.

LIMITATIONS OF LIABILITY: **onsemi** shall not be liable for any special, consequential, incidental, indirect or punitive damages, including, but not limited to the costs of requalification, delay, loss of profits or goodwill, arising out of or in connection with the board, even if **onsemi** is advised of the possibility of such damages. In no event shall **onsemi**'s aggregate liability from any obligation arising out of or in connection with the board, under any theory of liability, exceed the purchase price paid for the board, if any.

The board is provided to you subject to the license and other terms per **onsemi**'s standard terms and conditions of sale. For more information and documentation, please visit www.onsemi.com.

PUBLICATION ORDERING INFORMATION

LITERATURE FULFILLMENT:

Email Requests to: orderlit@onsemi.com

onsemi Website: www.onsemi.com

TECHNICAL SUPPORT

North American Technical Support:

Voice Mail: 1 800-282-9855 Toll Free USA/Canada

Phone: 011 421 33 790 2910

Europe, Middle East and Africa Technical Support:

Phone: 00421 33 790 2910

For additional information, please contact your local Sales Representative