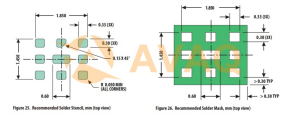


**RF Duplexer 55dB at 1710MHz to 1785MHz 50dB at 1805MHz to 1880MHz**  
**9-Pin SMD T/R**

<b>Manufacturer:</b>	Broadcom Corporation
<b>Package/Case:</b>	QFN
<b>Product Type:</b>	RF Integrated Circuits
<b>RoHS:</b>	RoHS Compliant/Lead free
<b>Lifecycle:</b>	Obsolete



Images are for reference only

Inquiry

### General Description

Avaq Semiconductor offers the highly versatile and reliable ACMD-6103-TR1 driver, produced by Broadcom Corporation. With its multifunctional and high-performance capabilities, this component is an excellent choice for a wide range of electronic projects.

To ensure that you have all the necessary information to make the most of this component, Avaq provides a free datasheet PDF, as well as circuit diagrams, pin layouts, pin details, pin voltage ratings, and equivalent components for the ACMD-6103-TR1.

Avaq also offers free samples. Simply fill out and submit the sample request form to receive your free samples for testing. If you have any questions, please feel free to contact us at ar

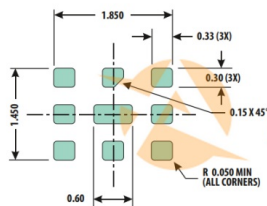


Figure 25. Recommended Solder Stencil, mm (top view)

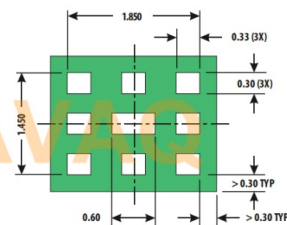
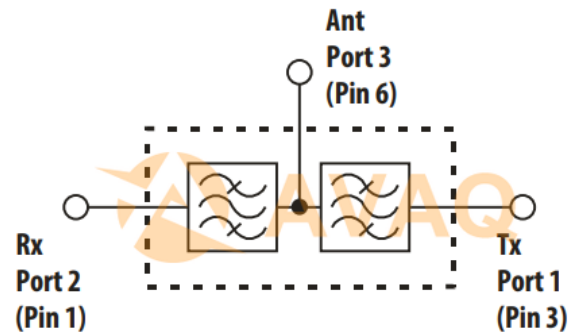


Figure 26. Recommended Solder Mask, mm (top view)



### Recommended For You

#### ACMD-4104-TR1

Broadcom Corporation  
QFN

#### ACMD-7601-NK1

Broadcom Corporation  
QFN

#### ACFM-7024-TR1

Broadcom Corporation  
QFN

#### ACPM-7600-TR1

Broadcom Corporation  
QFN

#### ACMD-4104-BLK

Broadcom Corporation  
QFN

#### ACMD-6125-BLK

Broadcom Corporation  
SMD

**ACMD-6125-TR1**

Broadcom Corporation

QFN

**ACFM-7037-TR1**

Broadcom Corporation

QFN

**ACFM-9025-TR1**

Broadcom Corporation

QFN

**ACMD-7410-API**

Broadcom Corporation

LGA-8

**ACMD-6207-TR1**

Broadcom Corporation

QFN

**ACMD-7701-TR1**

Broadcom Corporation

QFNPB

**ACMD-6013-TR1**

Broadcom Corporation

QFN

**ACPM-7600-BLK**

Broadcom Corporation

QFN42

**ACFM-9025**

Broadcom Corporation

QFN