

Sample Rate Converter 56ksps 24bit 28-Pin PLCC Tube

| | |
|----------------------|-------------------------------------|
| Manufacturer: | Analog Devices, Inc |
| Package/Case: | PLCC |
| Product Type: | Discrete Semiconductor Modules |
| Lifecycle: | Obsolete |



Images are for reference only

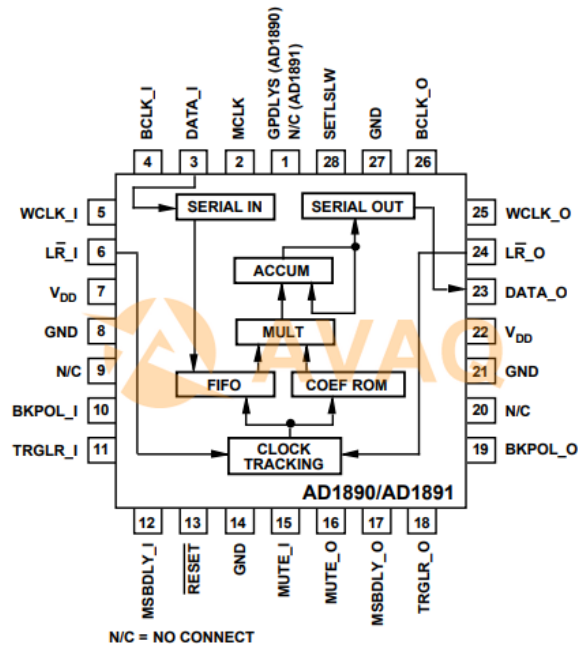
Inquiry

General Description

Avaq Semiconductor offers the highly versatile and reliable AD1890JP driver, produced by Analog Devices, Inc. With its multifunctional and high-performance capabilities, this component is an excellent choice for a wide range of electronic projects.

To ensure that you have all the necessary information to make the most of this component, Avaq provides a free datasheet PDF, as well as circuit diagrams, pin layouts, pin details, pin voltage ratings, and equivalent components for the AD1890JP.

Avaq also offers free samples. Simply fill out and submit the sample request form to receive your free samples for testing. If you have any questions, please feel free to contact us at ar



AD1890/AD1891 PLCC Pinout

Recommended For You

ADAU1701JSTZ

Analog Devices, Inc
QFP48

AD1974WBSZ

Analog Devices, Inc
LQFP-48

AD1940YSTZ

Analog Devices, Inc
QFP

AD1895AYRSZ

Analog Devices, Inc
SSOP28

AD2428WCCSZ-RL

Analog Devices, Inc
LFCSP32

AD1866RZ

Analog Devices, Inc
SOP16

ADAU7002ACBZ-R7

Analog Devices, Inc
WLCSP8

AD1955ARSZ

Analog Devices, Inc
SSOP28

ADAU1701JSTZ-RL

Analog Devices, Inc
LQFP48

AD1896AYRSZ

Analog Devices, Inc
SSOP28

AD1852JRSZ

Analog Devices, Inc
SSOP28

ADAU1401AWBSZ

Analog Devices, Inc
LQFP48

ADAU1962AWBSZ

Analog Devices, Inc
LQFP-80

ADAU1966WBSZ

Analog Devices, Inc
QFP80

AD1974YSTZ

Analog Devices, Inc
QFP