
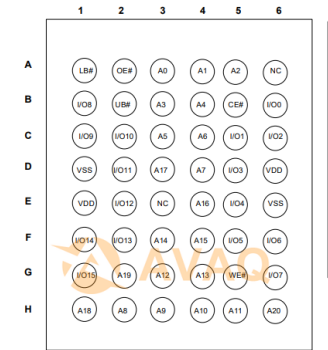


SRAM Chip Async Single 2.5V/3.3V 32M-bit 2M x 16 10ns 48-Pin TFBGA

Manufacturer:	Integrated Silicon Solution, Inc
Package/Case:	BGA48
Product Type:	Memory
RoHS:	RoHS Compliant/Lead free 
Lifecycle:	Active

PIN CONFIGURATIONS

48-Pin mini BGA (6mm x 8mm)



PIN DESCRIPTIONS

A0-A20	Address Inputs
I/O0-I/O15	Data Inputs/Outputs
CS#	Chip Enable Input
OE#	Output Enable Input
WE#	Write Enable Input
LB#	Lower-byte Control (I/O0-I/O7)
UB#	Upper-byte Control (I/O8-I/O15)
NC	No Connection
VDD	Power
VSS	Ground

Images are for reference only

[Inquiry](#)

General Description

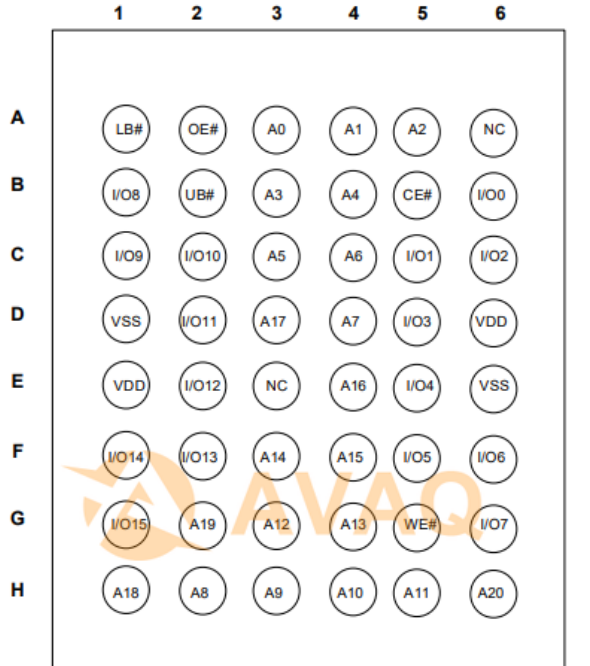
Avaq Semiconductor offers the highly versatile and reliable IS61WV204816BLL-10BLI driver, produced by Integrated Silicon Solution, Inc. With its multifunctional and high-performance capabilities, this component is an excellent choice for a wide range of electronic projects.

To ensure that you have all the necessary information to make the most of this component, Avaq provides a free datasheet PDF, as well as circuit diagrams, pin layouts, pin details, pin voltage ratings, and equivalent components for the IS61WV204816BLL-10BLI.

Avaq also offers free samples. Simply fill out and submit the sample request form to receive your free samples for testing. If you have any questions, please feel free to contact us at ar

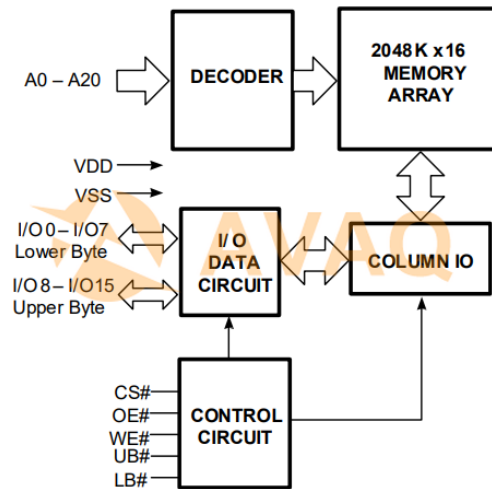
PIN CONFIGURATIONS

48-Pin mini BGA (6mm x 8mm)



PIN DESCRIPTIONS

A0-A20	Address Inputs
I/O0-I/O15	Data Inputs/Outputs
CS#	Chip Enable Input
OE#	Output Enable Input
WE#	Write Enable Input
LB#	Lower-byte Control (I/O0-I/O7)
UB#	Upper-byte Control (I/O8-I/O15)
NC	No Connection
VDD	Power
VSS	Ground



Recommended For You

IS62C1024AL-35QLI

Integrated Silicon Solution, Inc
SOP32

IS61C256AL-12JLI

Integrated Silicon Solution, Inc
SOJ28

IS61WV5128BLL-10BLI

Integrated Silicon Solution, Inc
BGA

IS61WV10248BLL-10TLI

Integrated Silicon Solution, Inc
TSOP44

IS42S16400J-6TLI

Integrated Silicon Solution, Inc
TSOP54

IS61C6416AL-12TLI

Integrated Silicon Solution, Inc
TSOP44

IS42S16320D-7TL

Integrated Silicon Solution, Inc
TSOP54

IS61WV6416DBLL-10TLI

Integrated Silicon Solution, Inc
TSOP44

IS42S16160G-7TLI

Integrated Silicon Solution, Inc
TSOP54

IS61WV102416BLL-10TIL

Integrated Silicon Solution, Inc

TSOP

IS42S16400J-7TIL

Integrated Silicon Solution, Inc

TSOP54

IS25LP128-JBLE

Integrated Silicon Solution, Inc

SOP8

IS62WV51216BLL-55TIL

Integrated Silicon Solution, Inc

TSOP44

IS62C256AL-45ULI

Integrated Silicon Solution, Inc

SOP28

IS61WV102416BLL-10MLI

Integrated Silicon Solution, Inc

BGA