
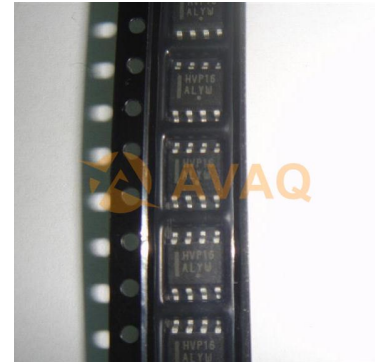


Single Transmitter/Receiver 8-Pin SOIC N Tube

Manufacturer:	ON Semiconductor, LLC
Package/Case:	SOIC-8NarrowBody
Product Type:	Drivers
RoHS:	RoHS Compliant/Lead free 
Lifecycle:	Obsolete



Images are for reference only

[Inquiry](#)

General Description

Avaq Semiconductor offers the highly versatile and reliable MC10LVEP16DG driver, produced by ON Semiconductor, LLC. With its multifunctional and high-performance capabilities, this component is an excellent choice for a wide range of electronic projects.

To ensure that you have all the necessary information to make the most of this component, Avaq provides a free datasheet PDF, as well as circuit diagrams, pin layouts, pin details, pin voltage ratings, and equivalent components for the MC10LVEP16DG.

Avaq also offers free samples. Simply fill out and submit the sample request form to receive your free samples for testing. If you have any questions, please feel free to contact us at ar

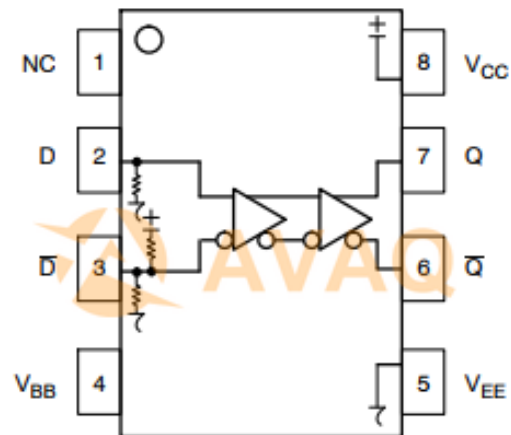
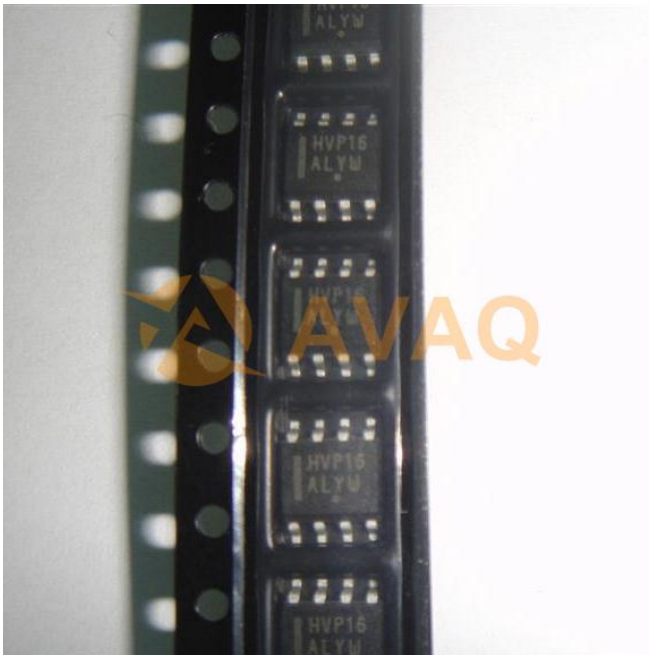


Figure 1. 8-Lead Pinout (Top View) and Logic Diagram

Recommended For You

MC74HC00ADR2G
ON Semiconductor, LLC
SOP14

MC100EPT21DG
ON Semiconductor, LLC
SOP-8

MC74HCT04ADTR2G
ON Semiconductor, LLC
TSSOP14

MC14538BDG

ON Semiconductor, LLC
SOP16

MC74VHC1G07DTTIG

ON Semiconductor, LLC
SOT23-5

MC100LEVEL16DTG

ON Semiconductor, LLC
MSOP-8

MC100EPI20DG

ON Semiconductor, LLC
SOP-8

MC74VHC1G14DTTIG

ON Semiconductor, LLC
SOT23-5

MC100ELI23DTG

ON Semiconductor, LLC
TSSOP8

MC74ACT245DTG

ON Semiconductor, LLC
TSSOP-20

MC74ACT174DG

ON Semiconductor, LLC
SOP14

MC14528BCP

ON Semiconductor, LLC
DIP

MC14504BDG

ON Semiconductor, LLC
SOP

MC74LCX541DTG

ON Semiconductor, LLC
TSSOP-20

MC74HC4538ADR2G

ON Semiconductor, LLC
SOP-16