

80kOhm 3.3V 48-Pin LQFP

<b>Manufacturer:</b>	Nuvoton Technology Corporation
<b>Package/Case:</b>	LQFP48
<b>Product Type:</b>	Drivers
<b>RoHS:</b>	RoHS Compliant/Lead free
<b>Lifecycle:</b>	Active

PINOUT CONFIGURATION

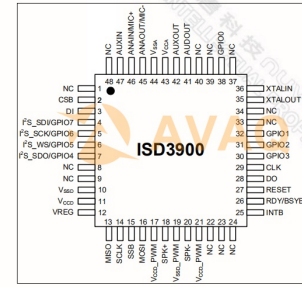


Figure 4-1 ISD3900 48-Lead LQFP Pin Configuration.

Images are for reference only

[Inquiry](#)

## General Description

Avaq Semiconductor offers the highly versatile and reliable ISD3900FYI driver, produced by Nuvoton Technology Corporation. With its multifunctional and high-performance capabilities, this component is an excellent choice for a wide range of electronic projects.

To ensure that you have all the necessary information to make the most of this component, Avaq provides a free datasheet PDF, as well as circuit diagrams, pin layouts, pin details, pin voltage ratings, and equivalent components for the ISD3900FYI.

Avaq also offers free samples. Simply fill out and submit the sample request form to receive your free samples for testing. If you have any questions, please feel free to contact us at ar

## PINOUT CONFIGURATION

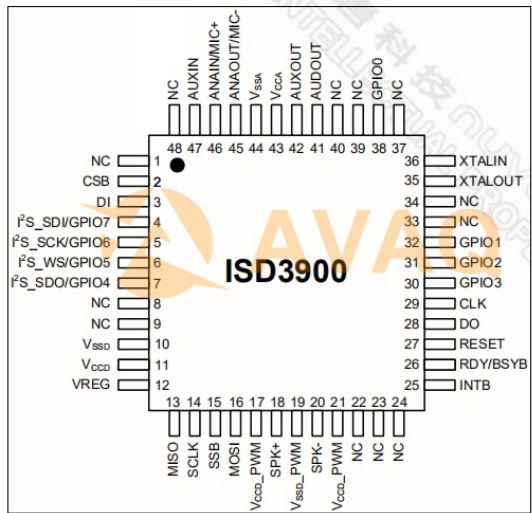


Figure 4-1 ISD3900 48-Lead LQFP Pin Configuration.

## BLOCK DIAGRAM

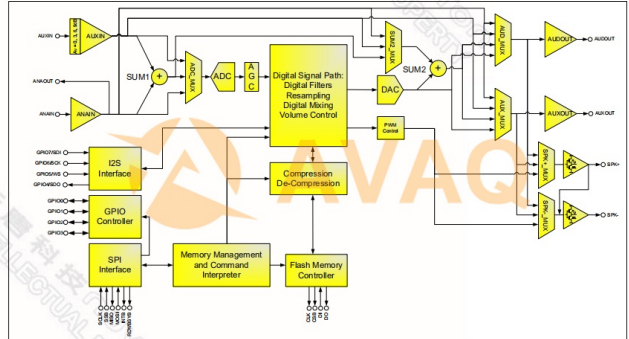


Figure 3-1 ISD3900 Block Diagram, ANAI Selected

## Recommended For You

**ISD1420P**  
Nuvoton Technology Corporation  
DIP

**ISD4004-16MS**  
Nuvoton Technology Corporation  
SOP28

**ISD2532P**  
Nuvoton Technology Corporation  
DIP

**ISD1760PY**

Nuvoton Technology Corporation

DIP28

**ISD1416P**

Nuvoton Technology Corporation

DIP28

**ISD2560P**

Nuvoton Technology Corporation

DIP28

**ISD4002-120SY**

Nuvoton Technology Corporation

SOP28

**ISD1620BSY**

Nuvoton Technology Corporation

SOP16

**ISD17120SY**

Nuvoton Technology Corporation

SOP28

**ISD1760SY**

Nuvoton Technology Corporation

SOP28

**ISD1420S**

Nuvoton Technology Corporation

SOP28

**ISD25120P**

Nuvoton Technology Corporation

DIP28

**ISD1730SY**

Nuvoton Technology Corporation

SOP28

**ISD1730PY**

Nuvoton Technology Corporation

DIP28

**ISD2590P**

Nuvoton Technology Corporation

DIP28