
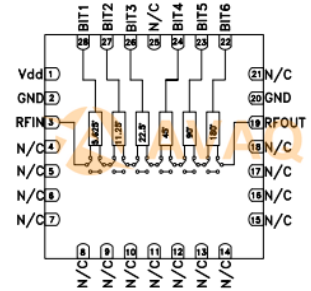


Phase Shifter Digital 1200MHz to 1400MHz 28-Pin QFN EP T/R

Manufacturer:	Analog Devices, Inc
Package/Case:	QFN
Product Type:	RF Integrated Circuits
RoHS:	RoHS Compliant/Lead free 
Lifecycle:	Active



Images are for reference only

[Inquiry](#)

General Description

The HMC936ALP6E is a 6-bit digital phase shifter which is rated from 1.2 to 1.4 GHz, providing 360 degrees of phase coverage, with a LSB of 5.625 degrees. The HMC936ALP6E features very low RMS phase error of 1.2 degrees and extremely low insertion loss variation of ± 0.5 dB across all phase states. This high accuracy phase shifter is controlled with positive control logic of 0/+5V and requires no negative supply voltage. The HMC936ALP6E is housed in a compact 6x6 mm plastic leadless SMT package and is internally matched to 50 Ohms with no external components.

Key Features

General Description

The HMC936ALP6E is a 6-bit digital phase shifter which is rated from 1.2 to 1.4 GHz, providing 360 degrees of phase coverage, with a LSB of 5.625 degrees. The HMC936ALP6E features very low RMS phase error of 1.2 degrees and extremely low insertion loss variation of ± 0.5 dB across all phase states. This high accuracy phase shifter is controlled with positive control logic of 0/+5V and requires no negative supply voltage. The HMC936ALP6E is housed in a compact 6x6 mm plastic leadless SMT package and is internally matched to 50 Ohms with no external components.

Features

- Low RMS Phase Error: 1.2°
- Low Insertion Loss: 5 dB
- High Linearity: +45 dBm
- Positive Control Logic
- 360° Coverage, LSB = 5.625°
- 28 Lead 6x6mm SMT Package: 36mm²

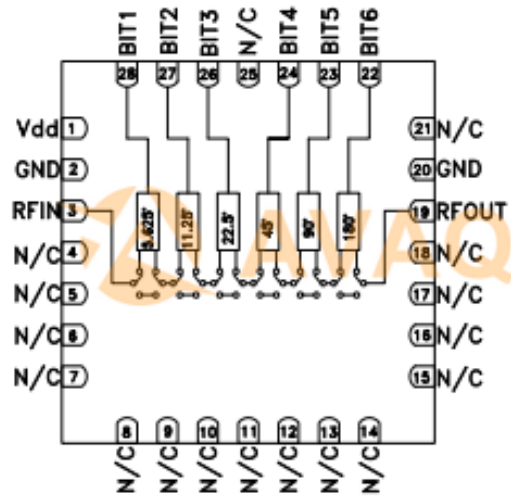
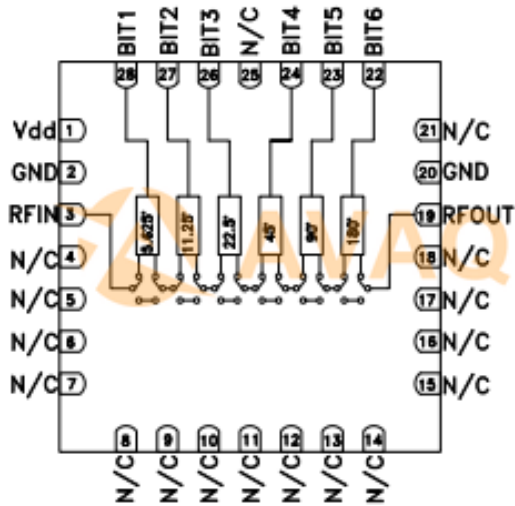
Typical Applications

The HMC936ALP6E is ideal for:

- EW Receivers
- Weather & Military Radar
- Satellite Communications
- Beamforming Modules
- Phase Cancellation

Application

- EW receivers
- Weather and military radar
- Satellite communications
- Beamforming modules
- Phase cancellation



Recommended For You

HMC624ALP4E

Analog Devices, Inc
QFN24

HMC952ALP5GE

Analog Devices, Inc
QFN

HMC361S8GE

Analog Devices, Inc
SOP-8

HMC253AQS24E

Analog Devices, Inc
QFN

HMC346MS8G

Analog Devices, Inc
MSOP8

HMC1119LP4ME

Analog Devices, Inc
QFN

HMC659LC5

Analog Devices, Inc
QFN

HMC909LP4E

Analog Devices, Inc
QFN

HMC564LC4

Analog Devices, Inc
QFN

HMC1021LP4E

Analog Devices, Inc
QFN

HMC241AQS16E

Analog Devices, Inc
SSOP16

HMC424LP3E

Analog Devices, Inc
QFN

HMC662LP3E

Analog Devices, Inc
QFN

HMC8038LP4CE

Analog Devices, Inc
QFN16

HMC363S8G

Analog Devices, Inc
SOP8