
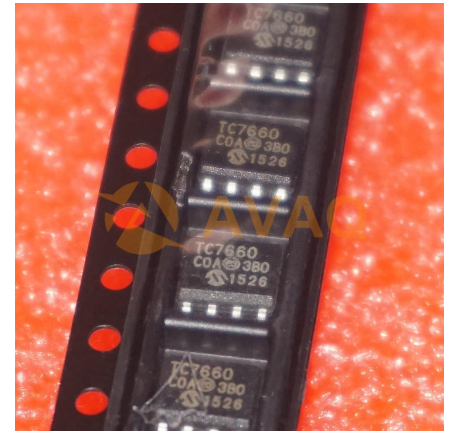


Charge Pump INV -1.5V to -10V 20mA 8-Pin SOIC N Tube

Manufacturer:	Microchip Technology, Inc
Package/Case:	SOP8
Product Type:	Power Management ICs
RoHS:	RoHS Compliant/Lead free 
Lifecycle:	Active



Images are for reference only

[Inquiry](#)

General Description

The TC7660 is a pin-compatible replacement for the Industry standard TC7660 charge pump voltage converter. It converts a +1.5V to +10V input to a corresponding - 1.5V to -10V output using only two low-cost capacitors, eliminating inductors and their associated cost, size and EMI. The on-board oscillator operates at a nominal frequency of 10kHz. Operation below 10kHz (for lower supply current applications) is possible by connecting an external capacitor from OSC to ground (with pin 1 open). The TC7660 is available in both 8-pin DIP and 8-pin SOIC packages in commercial and extended temperature ranges.

Key Features

Converts +5V Logic Supply to $\pm 5V$ System

Efficient Voltage Conversion: 99.9%

Excellent Power Efficiency: 98%

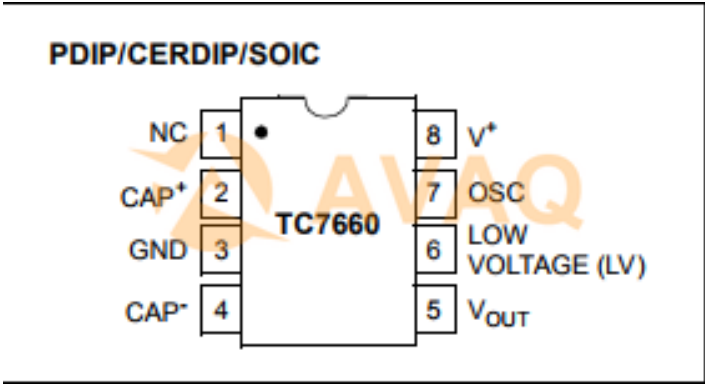
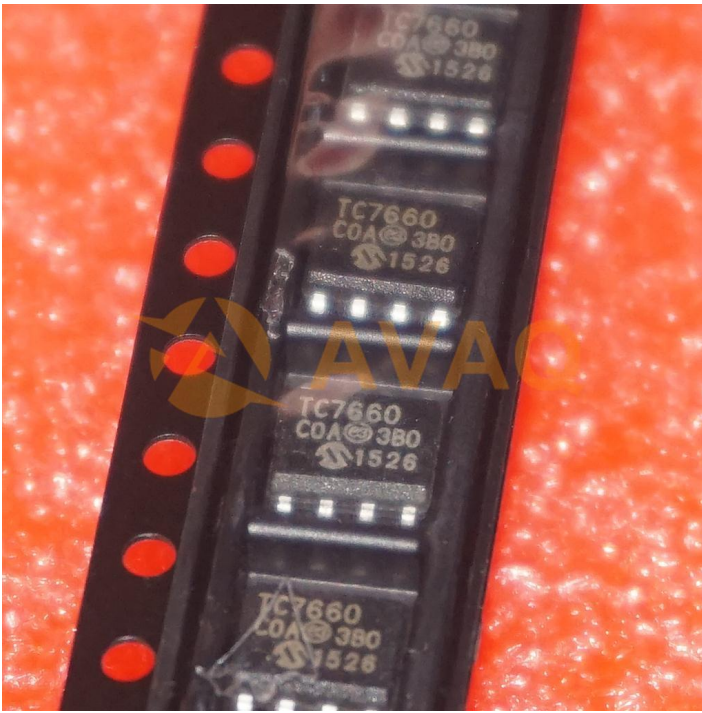
Low Power Supply: 80 μ A @ 5VIN

Low Cost and Easy to Use — Only Two External Capacitors Required

RS232 Negative Power Supply

Improved ESD Protection: Up to 3kV

No Dx Diode Required for High Voltage Operation



Recommended For You

TC54VC3002ECB713

Microchip Technology, Inc
SOT-23

TC4428ACOA

Microchip Technology, Inc
SOP8

TC429CPA

Microchip Technology, Inc
DIP8

TC4420EPA

Microchip Technology, Inc
DIP8

TC1232CPA

Microchip Technology, Inc
DIP8

TC1232COA

Microchip Technology, Inc
SOP-8

TC4427AEP

Microchip Technology, Inc
DIP8

TC4421CAT

Microchip Technology, Inc
TO220-5

TC4420CPA

Microchip Technology, Inc
DIP8

TC4422EPA

Microchip Technology, Inc
DIP8

TC1232EOA

Microchip Technology, Inc
SOP-8

TC1240AECR

Microchip Technology, Inc
SOT23-6

TC4421CPA

Microchip Technology, Inc
DIP8

TC4420COA

Microchip Technology, Inc
SOP-8

TC7660HEOA

Microchip Technology, Inc
SOP-8